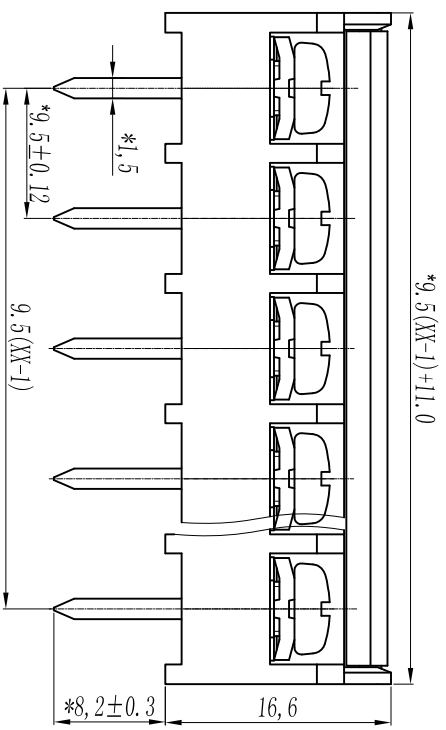
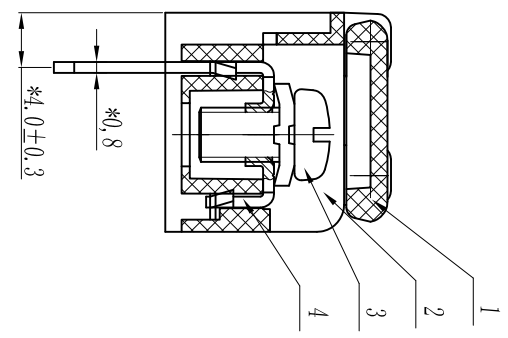
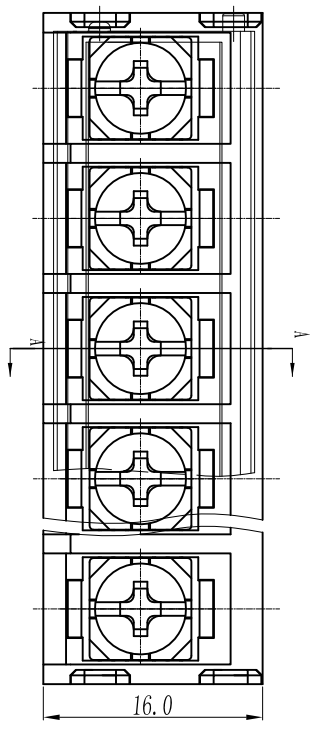
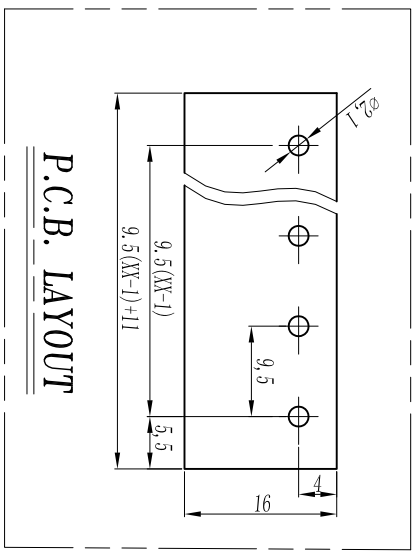




慈溪市万捷电子有限公司 CIXI WANJIE ELECTRONIC CO., LTD

产品规格书
THE SPEC SHEET



电气性能 Electrical

参考标准/Standard	UL	IEC
额定电压/Rated voltage	300V	250V
额定电流/Rated current	20A	24A
接触电阻/Contact resistance	20mΩ	
绝缘电阻/Insulation resistance	500MΩ/DC500V	
使用线径/Wire range	22~12AWG	2.5mm ²
耐电压/With standing voltage	AC 2000V/1 Min	

机械性能 Mechanical

扭矩/Torque	1.2Nm (10.6lb.in)
温度范围/Temp. Range	-40°C~+105°C
瞬时温度/MAX Soldering	+250°C, for 5 Sec

尺寸 Dimensions

间距/Pitch	9.5mm
极数/Poles	2~12p
材料及电镀/Material	PA66, UL94V-0
塑件/Housing	M4.0 Steel Ni plated
螺丝/Screws	Brass 0.8t Tin plated
焊脚/Pin header	PC, UL94V-2
盖板/Cover	

linear dimension (Tolerances Standard GB/T 14486-2008)

tolerance	±0.1	±0.14	±0.19	±0.25	±0.32	±0.43	±0.57	±0.72	±0.88	±1.05	±1.25	0.5	0.025	0.06	0.12	0.4
variable range	6 to	6 to	10 to	18 to	30 to	50 to	80 to	120 to	160 to	200 to	250 to	5 to	5 to	5 to	30 to	120 to
tolerance	±0.1	±0.14	±0.19	±0.25	±0.32	±0.43	±0.57	±0.72	±0.88	±1.05	±1.25	0.5	0.025	0.06	0.12	0.4

单位/UNITS	mm
尺寸/SIZE	A4
比例/SCALE	2:1

名称/TITLE	WJ46G-XXP-1YY-00A
----------	-------------------

第三视角/THIRD ANGLE PROJECTION

