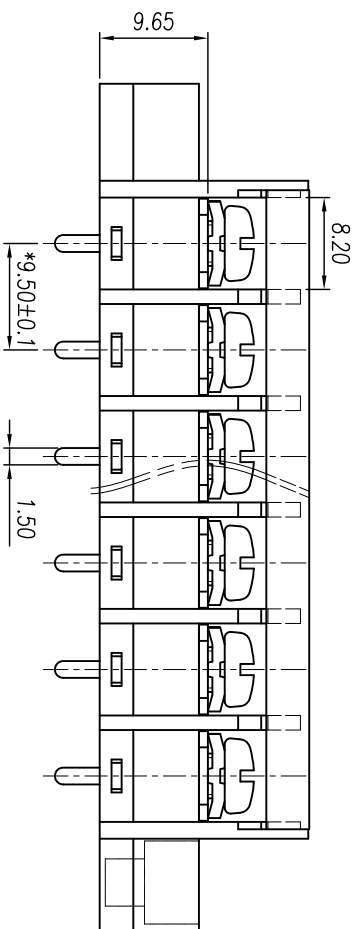
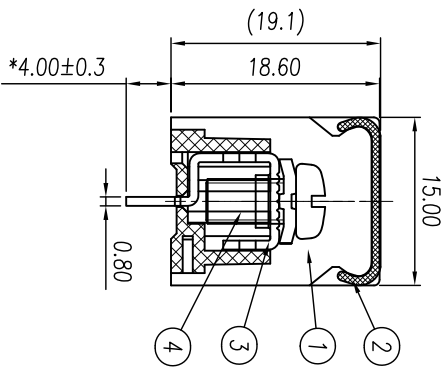
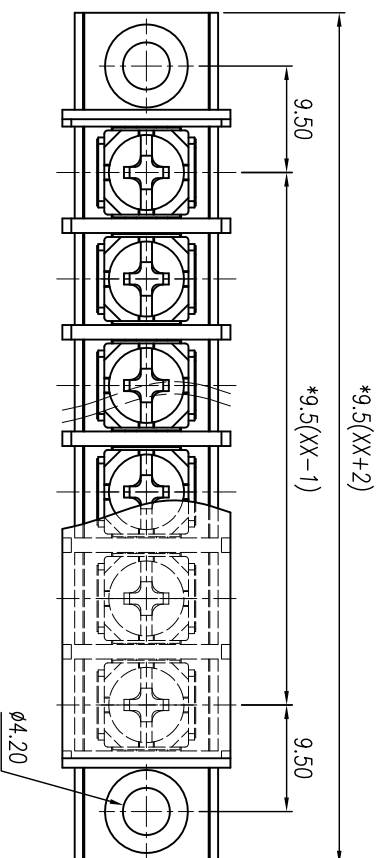
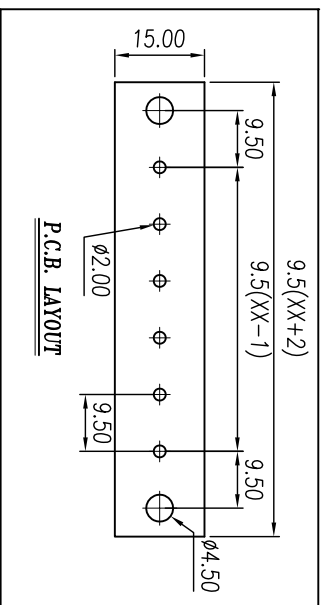




慈溪市万捷电子有限公司 CIXI WANJIE ELECTRONIC CO., LTD

产品规格书
THE SPEC SHEET



电气性能/Electrical

参考标准/Standard	UL	IEC
额定电压/Rated voltage	300V	450V
额定电流/Rated current	20A	24A
接触电阻/Contact resistance	20mΩ	
绝缘电阻/Insulation resistance	500MΩ /DC500V	
使用线径/Wire range	22~12AWG	2.5mm ²
耐电压/With standing voltage	AC 2000V/1 Min	

机械性能/Mechanical

扭矩/Torque	1.2Nm(10.6lb.in)
温度范围/Temp.Range	-40°C~+105°C
瞬时温度/MAX Soldering	+250°C, for 5 Sec

尺寸/Dimensions

间距/Pitch	9.5mm
极数/Poles	2~20p

材料及电镀/Material

塑料/Housing	PA66, UL94V-0
螺丝/Screws	M4.0 Steel Ni plated
焊脚/Pin header	Brass 0.8T Tin plated
盖板/Cover	PC,UL94V-2

linear dimension(Tolerances Standard GB/T 14486-2008)

tolerance	±0.1	±0.14	±0.19	±0.25	±0.32	±0.43	±0.57	±0.72	±0.88	±1.05	±1.25	0.5	0.025	0.06	0.12	0.4
variable range	6 to 10	6 to 10	10 to 18	10 to 18	18 to 30	18 to 30	30 to 50	30 to 50	50 to 80	50 to 80	80 to 120	120 to 160	160 to 200	200 to 250	250 to 300	300 to 120
tolerance	±0.1	±0.14	±0.19	±0.25	±0.32	±0.43	±0.57	±0.72	±0.88	±1.05	±1.25	0.5	0.025	0.06	0.12	0.4

第三视图/THIRD ANGLE PROJECTION



慈溪市万捷电子有限公司
CIXI WANJIE ELECTRONIC CO., LTD

名称/TITLE
WJ48CM-XXP-1YY-00A