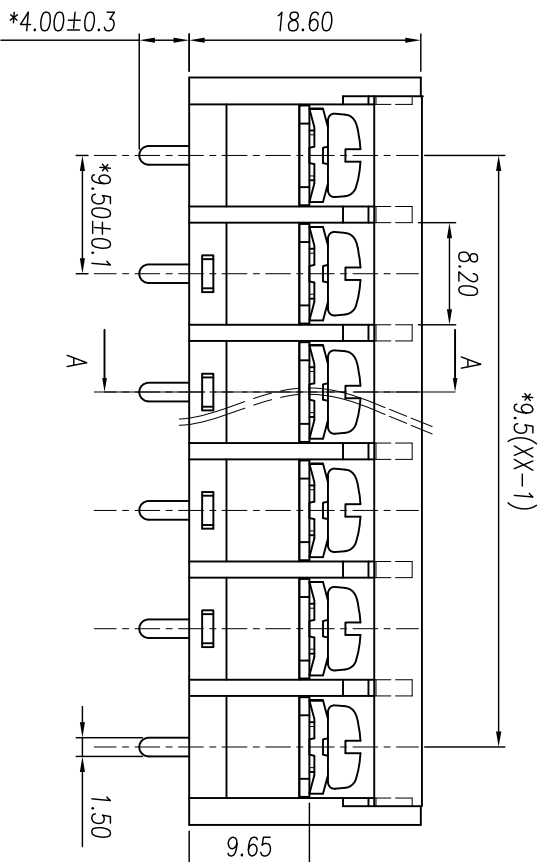
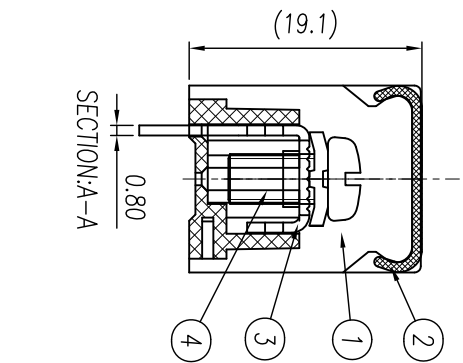
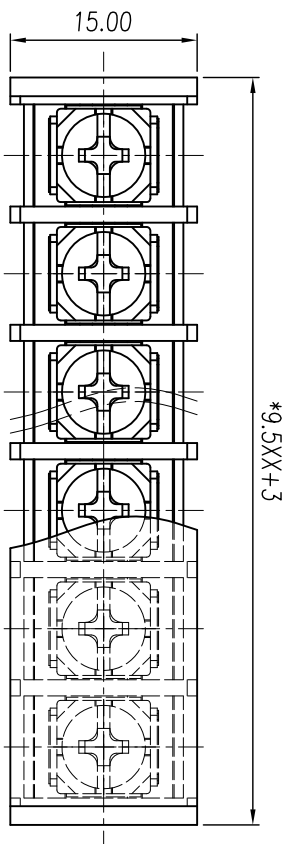
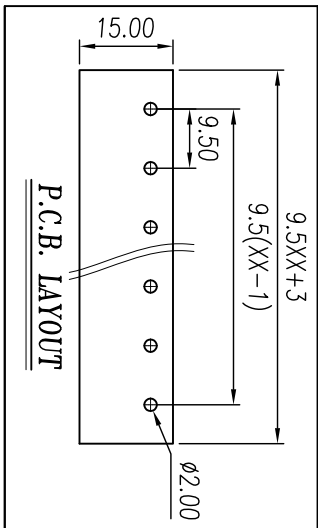




# 慈溪市万捷电子有限公司

## CIXI WANJIE ELECTRONIC CO., LTD

产品规格书  
THE SPEC SHEET



### 电气性能/Electrical

参考标准/Standard	UL	IEC
额定电压/Rated voltage	300V	450V
额定电流/Rated current	20A	24A
接触电阻/Contact resistance	20mΩ	
绝缘电阻/Insulation resistance	500MΩ/DC500V	
使用线径/Wire range	22~12AWG	2.5mm <sup>2</sup>
耐电压/Wth standing voltage	AC 2000V/1 Min	
机械性能/Mechanical		
扭矩/Torque	1.2Nm(10.6Lb.in)	
温度范围/Temp.Range	-40°C~+105°C	
瞬时温度/MAX Soldering	+250°C, for 5 Sec	

### 尺寸/Dimensions

间距/Pitch	9.5mm
极数/Poles	2-22p
材料及电镀/Material	PA66, UL94V-0
塑件/Housing	M4 Steel Ni plated
螺丝/Screws	Brass 0.8t Tin plated
焊脚/Pin header	PC,UL94V-2
盖板/Cover	

	linear dimension(Tolerances Standard GB/T 14486-2008)																			
tolerance	±0.1	±0.14	±0.19	±0.25	±0.32	±0.43	±0.57	±0.72	±0.88	±1.05	±1.25	0.5	0.025	0.06	0.12	0.4				
variable range	6 to 10	6 to 10	10 to 18	10 to 18	30 to 50	50 to 80	80 to 120	120 to 160	160 to 200	200 to 250	250 to 250	all	5 to 5	5 to 30	30 to 120	120 to 120				
over																				

单位/UNITS	mm	尺寸/SIZE	A4	比例/SCALE	5:3
慈溪市万捷电子有限公司 CIXI WANJIE ELECTRONIC CO., LTD					

名称/TITLE	第三视图/THIRD ANGLE PROJECTION
	WJ48S-XXP-1YY-00A