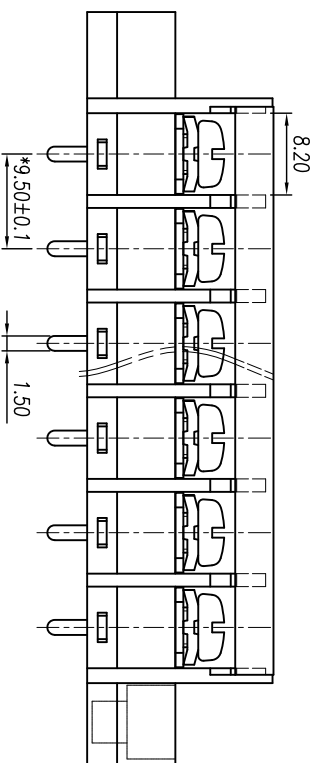
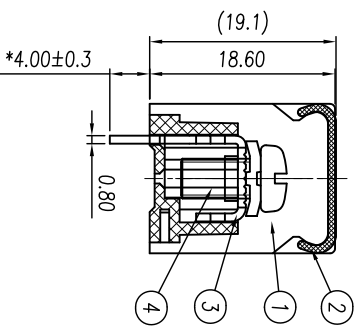
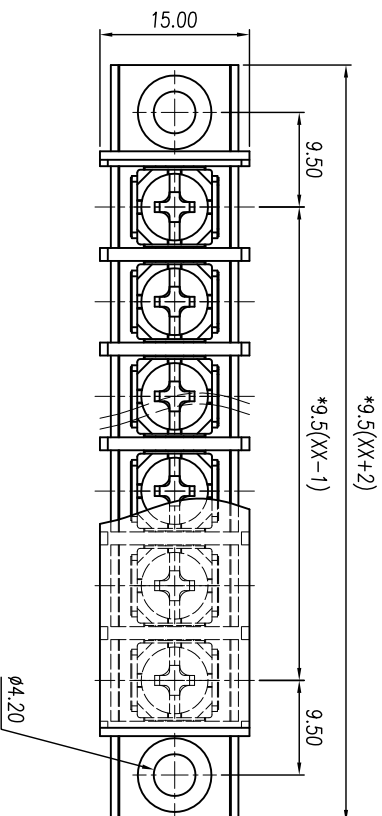
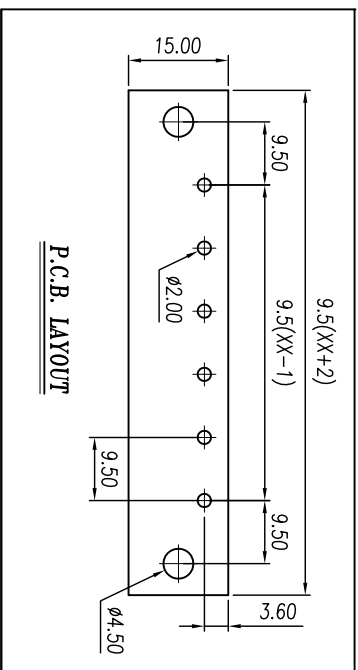




慈溪市万捷电子有限公司 CIXI WANJIE ELECTRONIC CO., LTD

产品规格书
THE SPEC SHEET



电气性能 / Electrical

参考标准 / Standard	UL	IEC
额定电压 / Rated voltage	300V	450V
额定电流 / Rated current	20A	24A
接触电阻 / Contact resistance	20mΩ	
绝缘电阻 / Insulation resistance	500MΩ / DC500V	
使用线径 / Wire range	22-12AWG	2.5mm ²
耐电压 / With standing voltage	AC 2000V/1 Min	
机械性能 / Mechanical		

扭矩 / Torque

扭 矩 / Torque

瞬时温度 / MAX Soldering

尺寸 / Dimensions

温度范围 / Temp Range	1.2Nm(10.6lb.in)
间距 / Pitch	-40°C--+105°C
极数 / Poles	+250°C, for 5 Sec
材质及电镀 / Material	9.5mm
塑料 / Housing	2-20p
螺丝 / Screws	PA66, UL94V-0
焊脚 / Pin header	M4 Steel Ni plated
盖板 / Cover	Brass 0.8t Tin plated
	PC, UL94V-2

linear dimension(Tolerances Standard GB/T 14486-2008)

tolerance	±0.1	±0.14	±0.19	±0.25	±0.32	±0.43	±0.57	±0.72	±0.88	±1.05	±1.25	0.5	0.025	0.06	0.12	0.4
variable range	6 to 10	6 to 10	10 to 18	10 to 18	30 to 50	30 to 50	80 to 120	80 to 120	160 to 200	160 to 200	250 to 250	all	5 to 5	5 to 30	30 to 120	120 to 120
tolerance	over	over	over	over	over	over	over	over	over	over	over	over	over	over	over	over

单位 / UNITS	mm	尺寸 / SIZE	A4	比例 / SCALE	4:3
------------	----	-----------	----	------------	-----



慈溪市万捷电子有限公司
CIXI WANJIE ELECTRONIC CO., LTD

第三视图 / THIRD ANGLE PROJECTION



名称 / TITLE
WJ48SM-XXP-1YY-00A