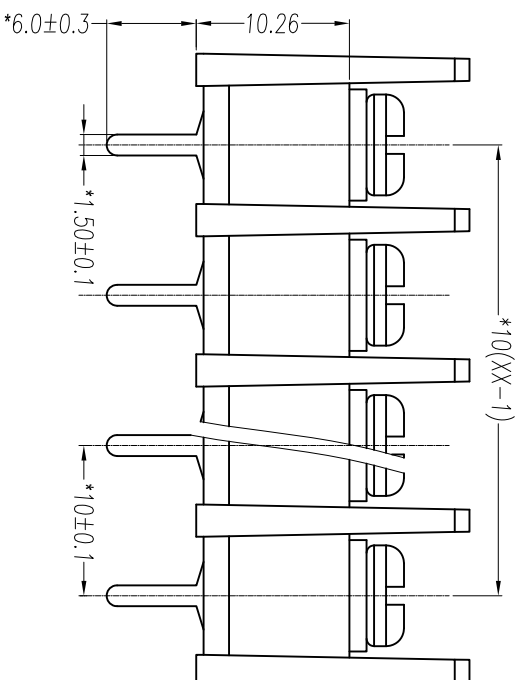
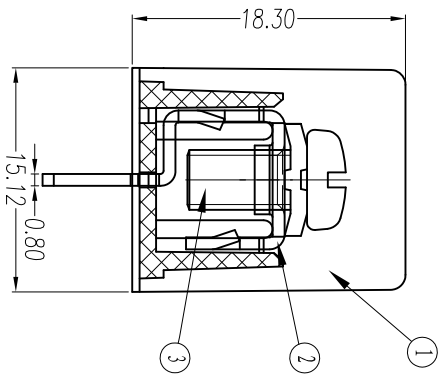
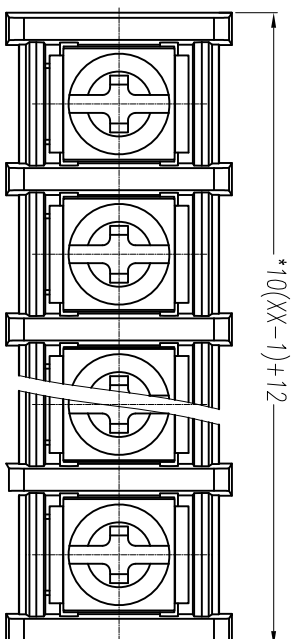
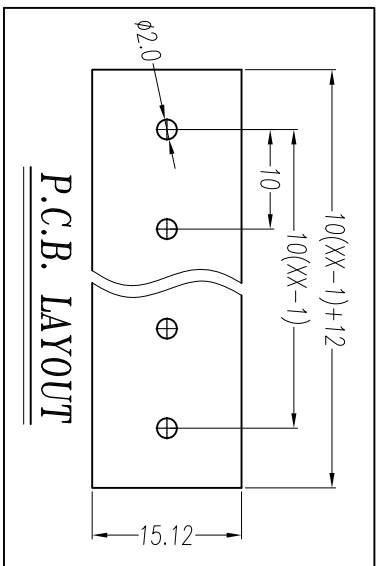




慈溪市万捷电子有限公司 CIXI WANJIE ELECTRONIC CO., LTD

产品规格书
THE SPEC SHEET



电气性能/Electrical

参考标准/Standard	UL	IEC
额定电压/Rated voltage	300V	750V
额定电流/Rated current	20A	24A
接触电阻/Contact resistance	20mΩ	
绝缘电阻/Insulation resistance	500MΩ/DC500V	
使用线径/Wire range	22~12AWG	2.5mm ²
耐电压/With standing voltage	AC 2000V/1 Min	

机械性能/Mechanical

扭矩/Torque	1.2Nm(10.6lb.in)
温度范围/Temp. Range	-40°C~+105°C
瞬时温度/MAX Soldering	+250°C, for 5 Sec

尺寸/Dimensions

间距/Pitch	10mm
极数/Poles	2~24p
材质及电镀/Material	PA66, UL94V-0
塑件/Housing	M4.0 Steel Ni plated
螺丝/Screws	Brass 0.8t Tin plated
焊脚/Pin header	

variable range	tolerance	±0.1	±0.14	±0.19	±0.25	±0.32	±0.43	±0.57	±0.72	±0.88	±1.05	±1.25	0.5	0.025	0.06	0.12	0.4
	linear dimension(Tolerances Standard GB/T 14486-2008)	over 6 to	over 10 to	over 18 to	over 30 to	over 50 to	over 80 to	over 120 to	over 160 to	over 200 to	over 250 to	all to	over 5 to	over 30 to	over 120 to		

单位/UNITS mm 尺寸/SIZE A4 比例/SCALE 2:1



慈溪市万捷电子有限公司
CIXI WANJIE ELECTRONIC CO., LTD

第三视图/THIRD ANGLE PROJECTION



名称/TITLE
WJ55C-XXP-1YY-00A