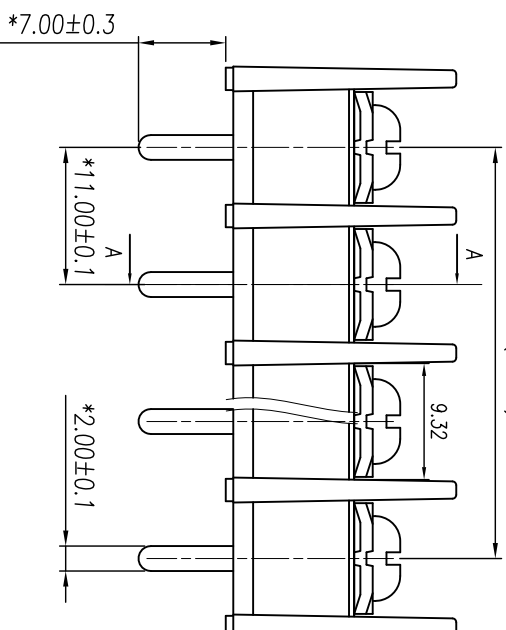
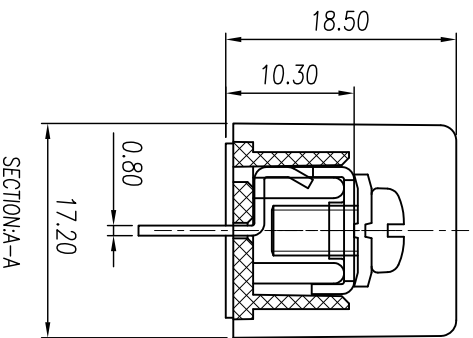
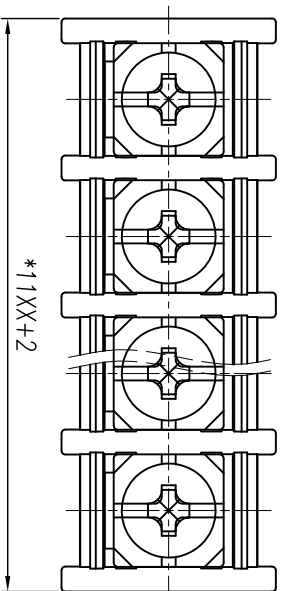
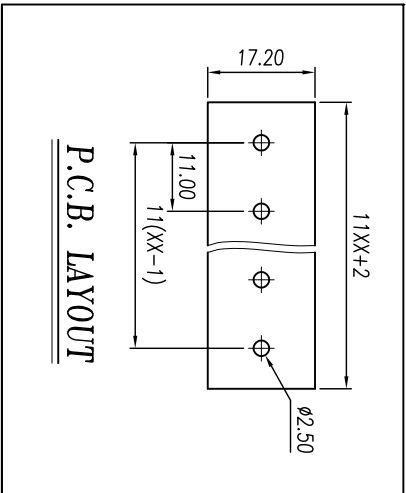




慈溪市万捷电子有限公司 CIXI WANJIE ELECTRONIC CO., LTD

产品规格书
THE SPEC SHEET



电气性能/Electrical

参考标准/Standard	UL	IEC
额定电压/Rated voltage	300V	750V
额定电流/Rated current	20A	24A
接触电阻/Contact resistance	20mΩ	
绝缘电阻/Insulation resistance	500MΩ/DC500V	
使用线径/Wire range	22~12AWG	2.5mm ²
耐电压/With standing voltage	AC 2000V/1 Min	

机械性能/Mechanical

扭矩/Torque	1.2Nm(10.6lb.in)
温度范围/Temp.Range	-40°C~+105°C
瞬时温度/MAX Soldering	+250°C, for 5 Sec

尺寸/Dimensions

间距/Pitch	11mm
极数/Poles	2~26p

材质及电镀/Material

塑件/Housing	PA66, UL94V-0
螺丝/Screws	M4.0 Steel Ni plated
焊脚/Pin header	Brass 0.8t Tin plated

linear dimension(Tolerances Standard GB/T 14486-2008)	over	±0.14	over	±0.19	over	±0.25	over	±0.32	over	±0.43	over	±0.57	over	±0.72	over	±0.88	over	±1.05	over	±1.25	all	0.5	over	0.025	over	0.06	over	0.12	over	0.4	
	to	6	to	10	to	18	to	30	to	50	to	80	to	120	to	160	to	200	to	250	to	5	to	5	to	30	to	120			
variable range	6	to	10	to	18	to	30	to	50	to	80	to	120	to	160	to	200	to	250	to	5	to	5	to	30	to	120				
tolerance	±0.1	to	±0.14	to	±0.19	to	±0.25	to	±0.32	to	±0.43	to	±0.57	to	±0.72	to	±0.88	to	±1.05	to	±1.25	to	0.5	to	0.025	to	0.06	to	0.12	to	0.4

单位/UNITS mm 尺寸/SIZE A4 比例/SCALE 5:3



慈溪市万捷电子有限公司
CIXI WANJIE ELECTRONIC CO., LTD

第三视图/THIRD ANGLE PROJECTION



名称/TITLE
WJ65C-XXP-1YY-00A