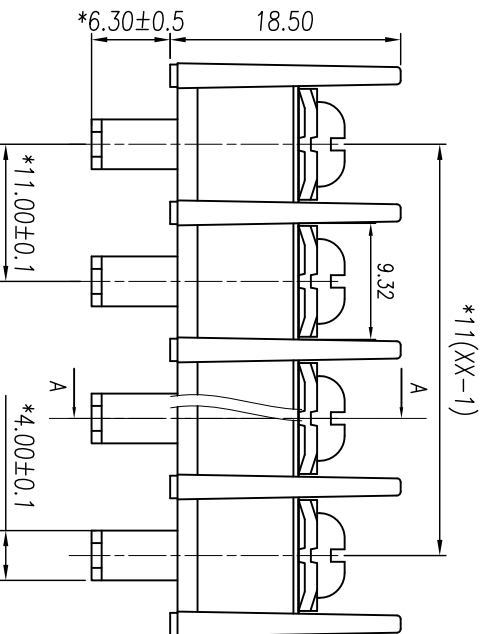
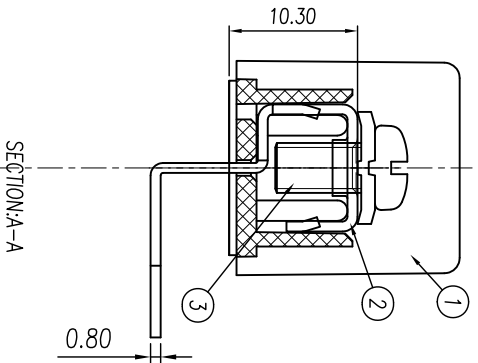
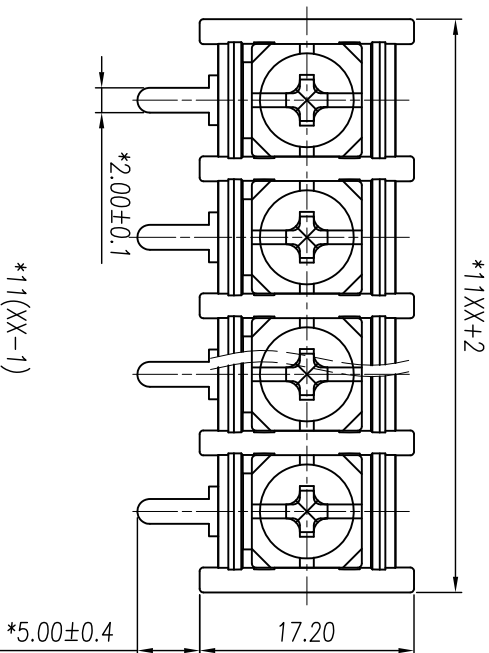
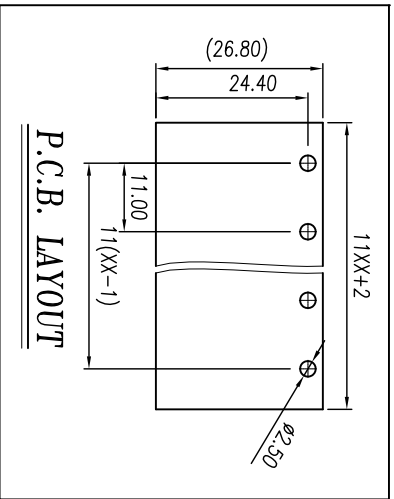




慈溪市万捷电子有限公司 CIXI WANJIE ELECTRONIC CO., LTD

产品规格书
THE SPEC SHEET



电气性能/Electrical

参考标准/Standard	UL	IEC
额定电压/Rated voltage	300V	750V
额定电流/Rated current	20A	24A
接触电阻/Contact resistance	20mΩ	
绝缘电阻/Insulation resistance	500MΩ/DC500V	
使用线径/Wire range	22~12AWG	2.5mm ²
耐电压/With standing voltage	AC 2000V/1 Min	

机械性能/Mechanical

扭 矩/Torque	1.2Nm(10.6lb.in)
温度范围/Temp.Range	-40°C~+105°C
瞬时温度/MAX Soldering	+250°C, for 5 Sec

尺寸/Dimensions

间 距/Pitch	11mm
极 数/Poles	2~26p

材质及电镀/Material

塑 件/Housing	PA66, UL94V-0
螺 丝/Screws	M4.0 Steel Ni plated
焊 脚/Pin header	Brass 0.8t Tin plated

linear dimension(Tolerances Standard GB/T 14486-2008)	≡	—	□	//	⊥											
tolerance	±0.1	±0.14	±0.19	±0.25	±0.32	±0.43	±0.57	±0.72	±0.88	±1.05	±1.25	0.5	0.025	0.06	0.12	0.4
variable range	6 to	6 to	10 to	10 to	18 to	30 to	50 to	80 to	120 to	160 to	200 to	250 to	all to	5 to	30 to	120 to

单位/UNITS	mm	尺寸/SIZE	A4	比例/SCALE	5:3
名称/TITLE	慈溪市万捷电子有限公司 CIXI WANJIE ELECTRONIC CO., LTD				
第三视图/THIRD ANGLE PROJECTION					
名称/TITLE	WJ65R-XXP-1YY-00A				