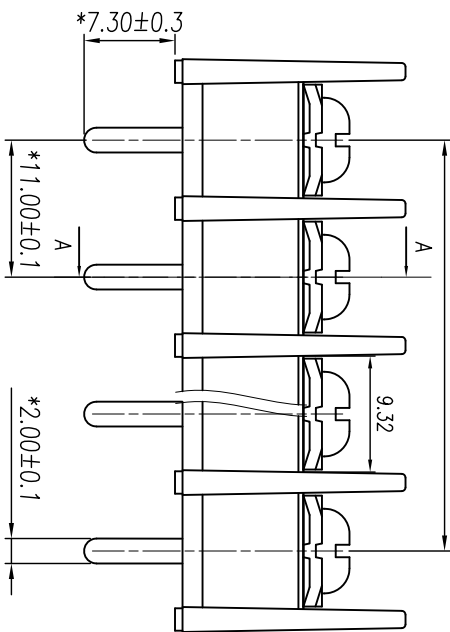
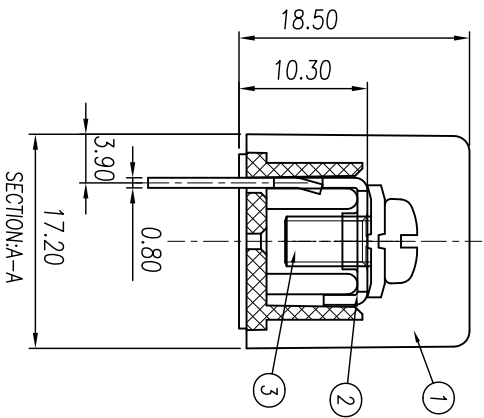
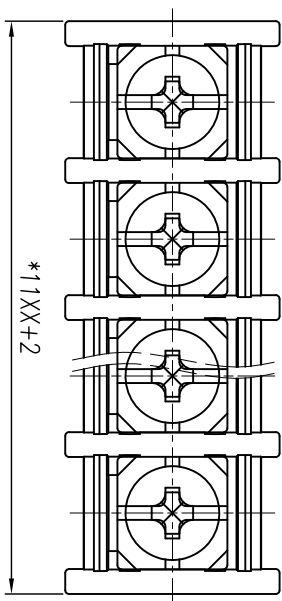
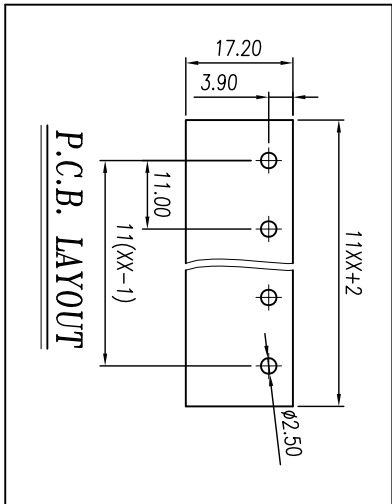




# 慈溪市万捷电子有限公司 CIXI WANJIE ELECTRONIC CO., LTD

产品规格书  
THE SPEC SHEET



### 电气性能/Electrical

参考标准/Standard	UL	IEC
额定电压/Rated voltage	300V	750V
额定电流/Rated current	20A	24A
接触电阻/Contact resistance	20mΩ	
绝缘电阻/Insulation resistance	500MΩ/DC500V	
使用线径/Wire range	22~12AWG	2.5mm <sup>2</sup>
耐电压/Wrth standing voltage	AC 2000V/1 Min	

### 机械性能/Mechanical

扭矩/Torque	1.2Nm(10.6lb.in)
温度范围/Temp. Range	-40°C~+105°C
瞬时温度/MAX Soldering	+250°C, for 5 Sec

### 尺寸/Dimensions

间距/Pitch	11mm
极数/Poles	2~26p

### 材质及电镀/Material

塑件/Housing	PA66, UL94V-0
螺丝/Screws	M4.0 Steel Ni plated
焊脚/Pin header	Brass 0.8t Tin plated

tolerance	±0.1	±0.14	±0.19	±0.25	±0.32	±0.43	±0.57	±0.72	±0.88	±1.05	±1.25	0.5	0.025	0.06	0.12	0.4
	over 6 to 6	over 10 to 10	over 18 to 18	over 30 to 30	over 50 to 50	over 80 to 80	over 120 to 120	over 160 to 160	over 200 to 200	over 250 to 250	all to 5	over 5 to 5	over 30 to 30	over 120 to 120		

linear dimension(Tolerances Standard GB/T 14486-2008)

≡ — □ //

∟

单位/UNITS mm 尺寸/SIZE A4 比例/SCALE 5:3



慈溪市万捷电子有限公司  
CIXI WANJIE ELECTRONIC CO., LTD

第三视图/THIRD ANGLE PROJECTION



名称/TITLE WJ65S-XXP-1YY-00A