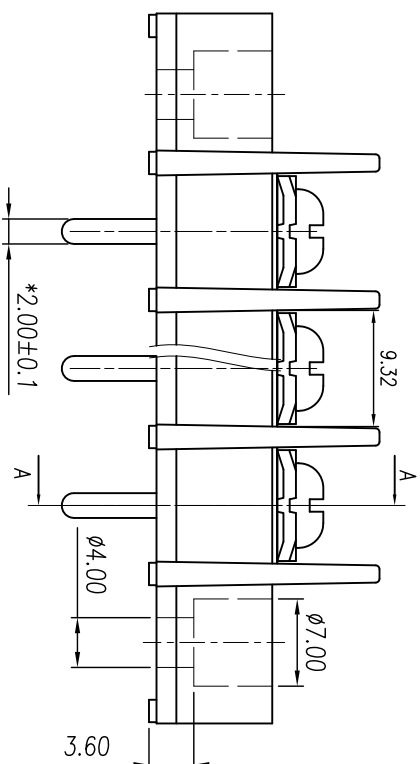
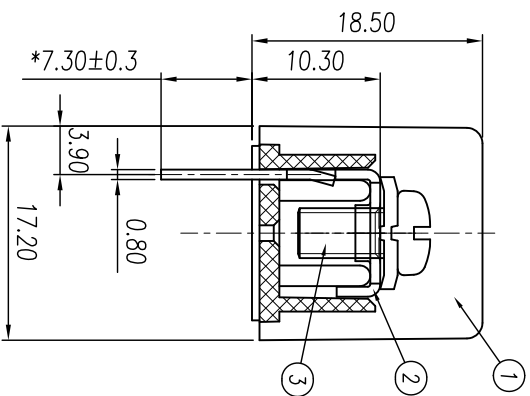
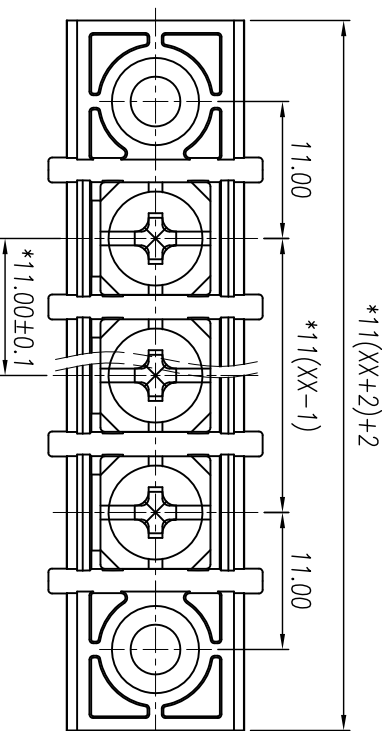
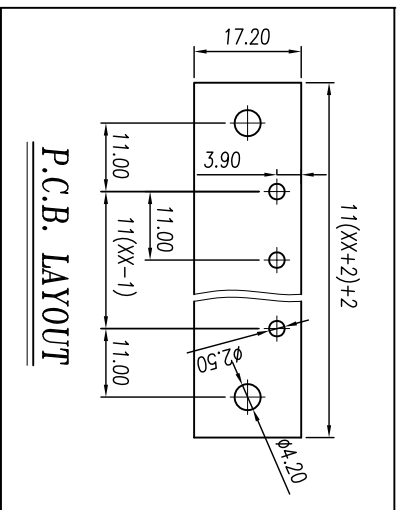




慈溪市万捷电子有限公司 CIXI WANJIE ELECTRONIC CO., LTD

产品规格书
THE SPEC SHEET



电气性能/Electrical	参考标准/Standard	UL	IEC
额定电压/Rated voltage	300V	750V	
额定电流/Rated current	20A	24A	
接触电阻/Contact resistance	20mΩ		
绝缘电阻/Insulation resistance	500MΩ/DC500V		
使用线径/Wire range	22-12AWG	2.5mm ²	
耐电压/Wrth standing voltage	AC 2000V/1 Min		
机械性能/Mechanical			
扭矩/Torque	1.2Nm(10.6lb.in)		
温度范围/Temp.Range	-40°C~+105°C		
瞬时温度/MAX Soldering	+250°C, for 5 Sec		
尺寸/Dimensions			
间距/Pitch	11mm		
极数/Poles	2-24p		
材质及电镀/Material	PA66, UL94V-0		
塑件/Housing	M4.0 Steel Ni plated		
螺丝/Screws	Brass 0.8t Tin plated		
焊脚/Pin header			

tolerance	±0.1	±0.14	±0.19	±0.25	±0.32	±0.43	±0.57	±0.72	±0.88	±1.05	±1.25	0.5	0.025	0.06	0.12	0.4
	over 6 to 10	over 10 to 18	over 18 to 30	over 30 to 50	over 50 to 80	over 80 to 120	over 120 to 160	over 160 to 200	over 200 to 250	over 250 to 300	over 300 to 400	all	5 to 30	5 to 120	30 to 120	

单位/UNITS	mm	尺寸/SIZE	A4	比例/SCALE	5:3
名称/TITLE	WJ65SM-XXP-1YY-00A				

第三视图/THIRD ANGLE PROJECTION



慈溪市万捷电子有限公司
CIXI WANJIE ELECTRONIC CO., LTD