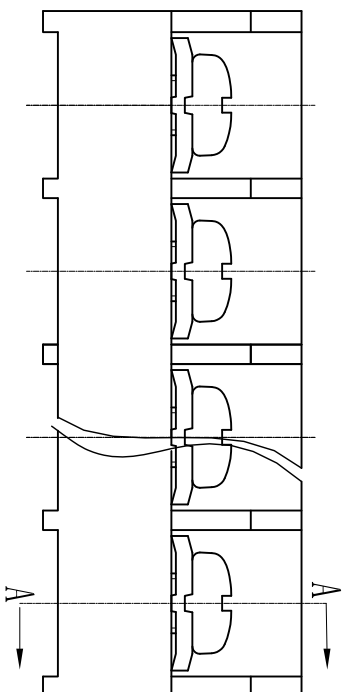
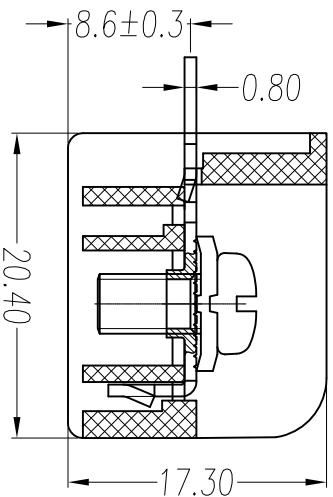
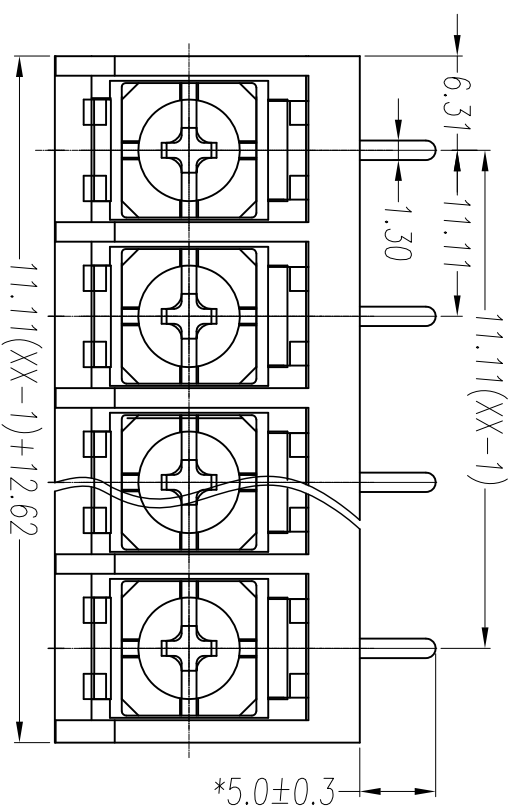
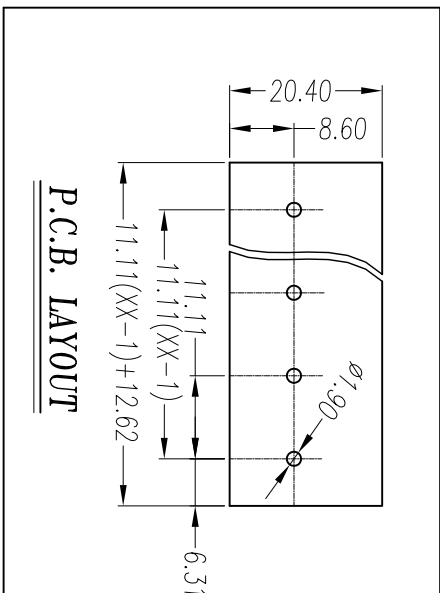




# 慈溪市万捷电子有限公司 CIXI WANJIE ELECTRONIC CO., LTD

产品规格书  
THE SPEC SHEET



电气性能/Electrical	
参考标准/Standard	UL IEC
额定电压/Rated voltage	300V 750V
额定电流/Rated current	30A 32A
接触电阻/Contact resistance	20mΩ
绝缘电阻/Insulation resistance	500MΩ/DC500V
使用线径/Wire range	22~10AWG 4.0mm <sup>2</sup>
耐电压/With standing voltage	AC 2000V/1 Min
机械性能/Mechanical	
扭矩/Torque	1.2Nm(10.6lbin)
温度范围/Temp.Range	-40°C~+105°C
瞬时温度/MAX Soldering	+250°C, for 5 Sec
尺寸/Dimensions	
间距/Pitch	11.11mm
极数/Poles	2-23p
材料及电镀/Material	PA66, UL94V-0
塑件/Housing	M4.0 Steel Ni plated
螺丝/Screws	Brass 0.8t Tin plated
焊脚/Pin header	

variable range	6 to	over 6	over 10	over 18	over 30	over 50	over 80	over 120	over 160	over 200	over 250	all to	5 to	over 5 to	over 30 to	over 120 to
	6 to	10 to	18 to	30 to	50 to	80 to	120 to	160 to	200 to	250 to						
tolerance	±0.1	±0.14	±0.19	±0.25	±0.32	±0.43	±0.57	±0.72	±0.88	±1.05	±1.25	0.5	0.025	0.06	0.12	0.4

linear dimension(Tolerances Standard GB/T 14486-2008)

≡ — □ //

单位/UNITS mm 尺寸/SIZE A4 比例/SCALE 2:1

第三视图/THIRD ANGLE PROJECTION



慈溪市万捷电子有限公司  
CIXI WANJIE ELECTRONIC CO., LTD

名称/TITLE W166A-XXP-1YY-00A