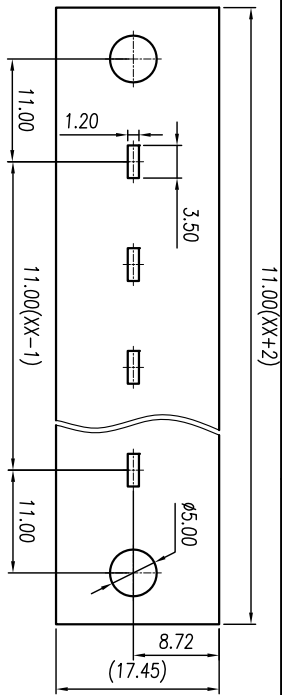
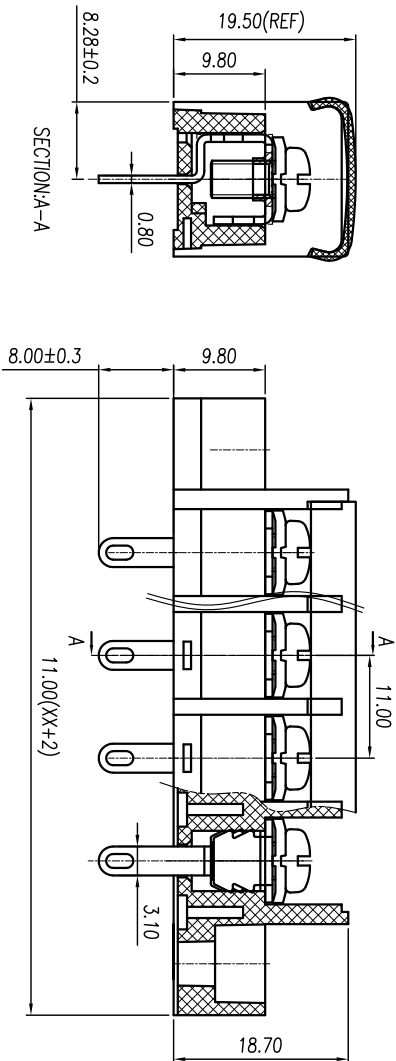
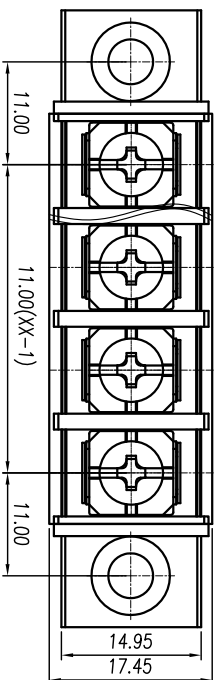


慈溪市万捷电子有限公司 CIXI WANJIE ELECTRONIC CO., LTD

产品规格书
THE SPEC SHEET



P.C.B. LAYOUT



电 气 性 能 / Electrical

参考标准 / Standard

额定电压 / Rated voltage

额定电流 / Rated current

接触电阻 / Contact resistance

绝缘电阻 / Insulation resistance

使用线径 / Wire range

耐 电 压 / With standing voltage

机 械 性 能 / Mechanical

扭 矩 / Torque

温度范围 / Temp. Range

瞬时温度 / MAX Soldering

UL IEC

300V 450V

20A 24A

20mΩ

500MΩ / DC500V

22~12AWG 2.5mm²

AC 2000V/1 Min

1.2Nm(10.8Lb.in)

-40°C~+105°C

+250°C, for 5 Sec

尺 寸 / Dimensions

间 距 / Pitch

极 数 / Poles

材 质 及 电 镀 / Material

塑 件 / Housing

螺 丝 / Screws

焊 脚 / Pin header

盖 板 / Cover

11mm

2-22P

PA66, UL94V-0

M4.0 Steel Ni plated

Copper alloy 0.8t Sn plated

PC, UL94V-2

linear dimension (Tolerances Standard GB/T 14486-2008)

tolerance	±0.1	±0.14	±0.19	±0.25	±0.32	±0.45	±0.57	±0.72	±0.88	±1.05	±1.25	0.5	0.025	0.06	0.12	0.4
variable range	to 6	over 6 to 10	over 10 to 18	over 18 to 30	over 30 to 50	over 50 to 80	over 80 to 120	over 120 to 160	over 160 to 200	over 200 to 250	over 250 to 300	all to 5	over 5 to 30	over 30 to 120	over 120 to 180	over 180 to 250

单位 / UNITS mm 尺寸 / SIZE A4 比例 / SCALE 5:4



慈溪市万捷电子有限公司
CIXI WANJIE ELECTRONIC CO., LTD

第三视角 / THIRD ANGLE PROJECTION



名称 / TITLE WJ68HM-XXP-1YY-00A