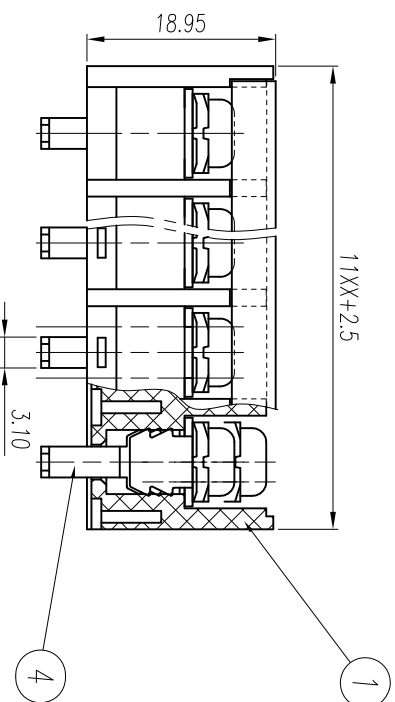
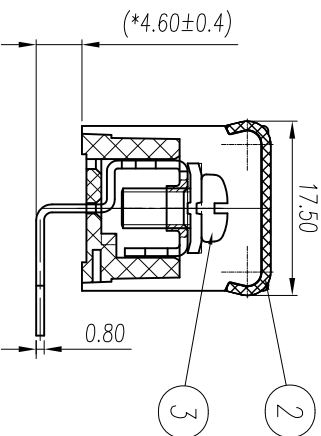
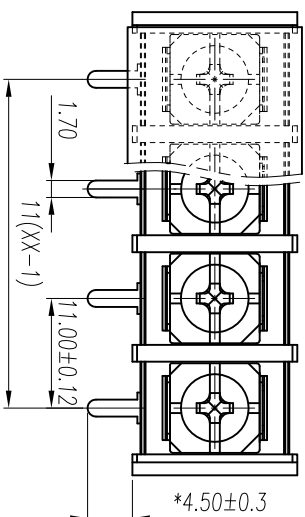
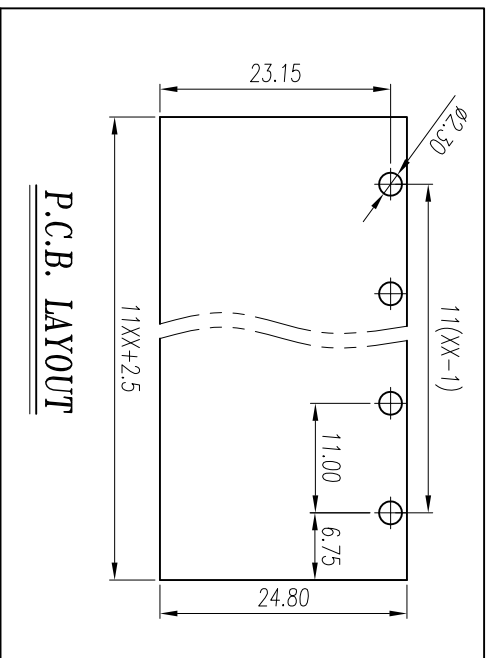




# 慈溪市万捷电子有限公司 CIXI WANJIE ELECTRONIC CO., LTD

产品规格书  
THE SPEC SHEET



### 电气性能/Electrical

参考标准/Standard	UL	IEC
额定电压/Rated voltage	300V	450V
额定电流/Rated current	20A	24A
接触电阻/Contact resistance	20mΩ	
绝缘电阻/Insulation resistance	500MΩ/DC500V	
使用线径/Wire range	22~12AWG	2.5mm <sup>2</sup>
耐电压/With standing voltage	AC 2000V/1 Min	

### 机械性能/Mechanical

扭矩/Torque	1.2Nm(10.8lb.in)
温度范围/Temp Range	-40°C~+105°C
瞬时温度/MAX Soldering	+250°C, for 5 Sec

### 尺寸/Dimensions

间距/Pitch	11mm
极数/Poles	2-24p
材质及电镀/Material	PA66, UL94V-0
塑件/Housing	M4.0 Steel Ni plated
螺丝/Screws	Brass 0.8t Tin plated
焊脚/Pin header	PC, UL94V-2
盖板/Cover	

linear dimension (tolerances Standard GB/T 14486-2008)

tolerance	±0.1	±0.14	±0.19	±0.25	±0.32	±0.43	±0.57	±0.72	±0.88	±1.05	±1.25	0.5	0.025	0.06	0.12	0.4
variable range	to 6	over 6 to 10	over 10 to 18	over 18 to 30	over 30 to 50	over 50 to 80	over 80 to 120	over 120 to 160	over 160 to 200	over 200 to 250	over 250 to 300	all	to 5	over 5 to 30	over 30 to 120	over 120 to 250

单位/UNITS mm 尺寸/SIZE A4 比例/SCALE 4:3



慈溪市万捷电子有限公司  
CIXI WANJIE ELECTRONIC CO., LTD

第三视图 THIRD ANGLE PROJECTION



名称/TITLE WJ68R-XXP-1Y-00A