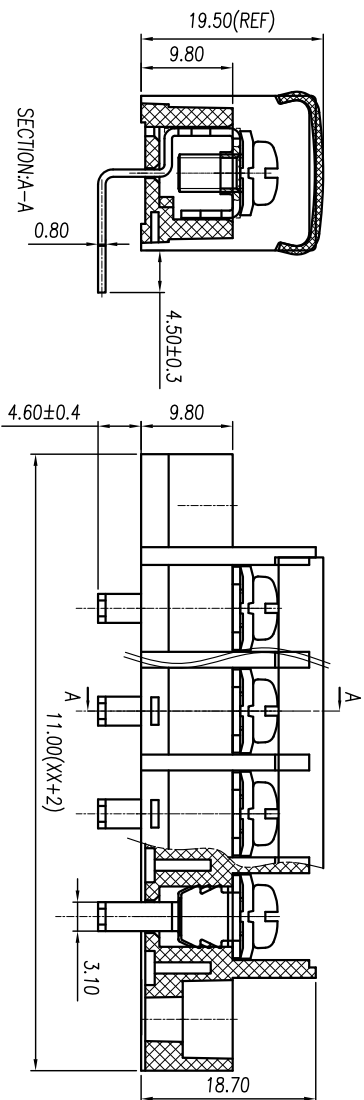
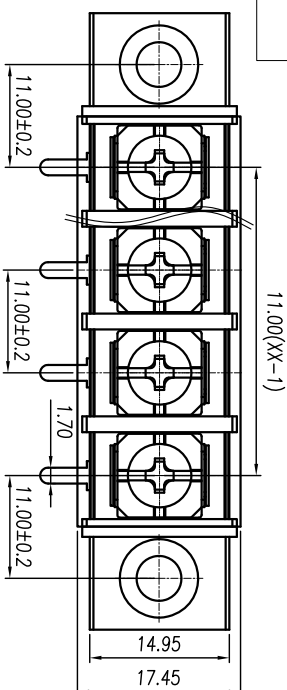
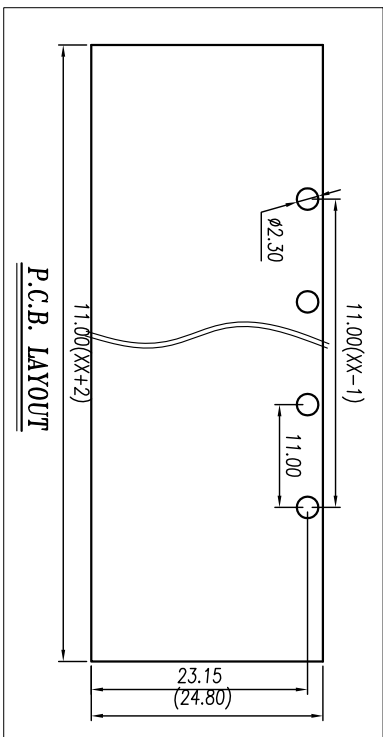




慈溪市万捷电子有限公司 CIXI WANJIE ELECTRONIC CO., LTD

产品规格书
THE SPEC SHEET



电气性能/Electrical

参考标准/Standard	UL	IEC
额定电压/Rated voltage	300V	450V
额定电流/Rated current	20A	24A
接触电阻/Contact resistance	20mΩ	
绝缘电阻/Insulation resistance	500MΩ/DC500V	
使用线径/Wire range	22~12AWG	2.5mm ²
耐电压/Wrth standing voltage	AC 2000V/1 Min	
机械性能/Mechanical		
扭矩/Torque	1.2Nm(10.8Lb.in)	
温度范围/Temp Range	-40°C~+105°C	
瞬时温度/MAX Soldering	+250°C, for 5 Sec	

尺寸/Dimensions

间距/Pitch	11mm
极数/Poles	2-22p
材质及电镀/Material	PA66, UL94V-0
塑件/Housing	M4.0 Steel/Ni plated
螺丝/Screws	Copper alloy 0.8t Tin plated
焊脚/Pin header	PC, UL94V-2
盖板/Cover	

linear dimension	Tolerances Standard GB/T 14486-2008															
variable range	over 6 to 10	over 10 to 18	over 18 to 30	over 30 to 50	over 50 to 80	over 80 to 120	over 120 to 160	over 160 to 200	over 200 to 250	over 250 to 500	over 500 to 1000	over 1000 to 2000	over 2000 to 5000			
tolerance	±0.1	±0.14	±0.19	±0.25	±0.32	±0.43	±0.57	±0.72	±0.88	±1.05	±1.25	0.5	0.025	0.06	0.12	0.4

单位/UNITS	mm	尺寸/SIZE	A4	比例/SCALE	5:4
名称/TITLE	慈溪市万捷电子有限公司 CIXI WANJIE ELECTRONIC CO., LTD				
	第三视图/THIRD ANGLE PROJECTION				
	WJ68RM-XXP-1YY-00A				