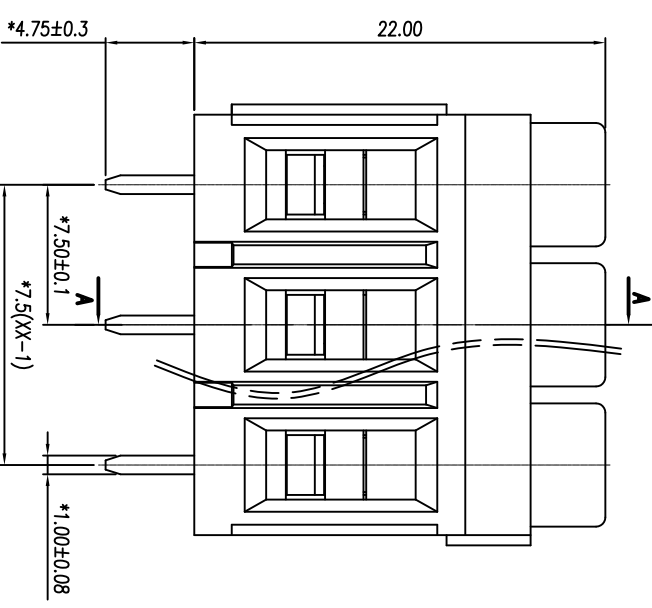
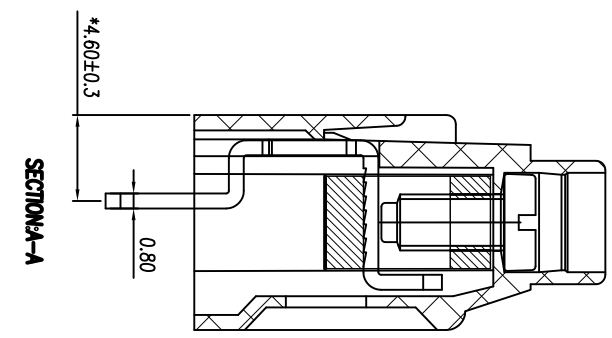
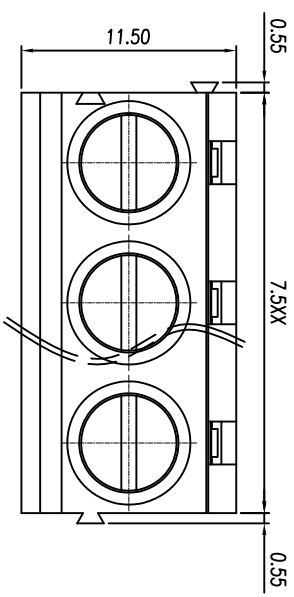
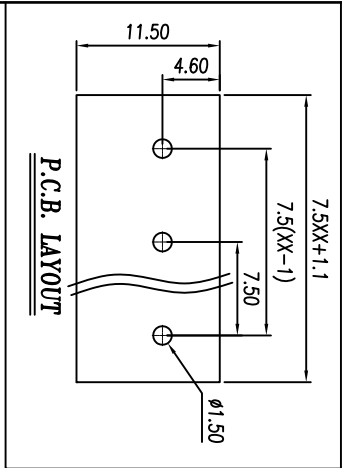


慈溪市万捷电子有限公司 CIXI WANJIE ELECTRONIC CO., LTD

产品规格书
THE SPEC SHEET



参考标准/Standard	UL	IEC
额定电压/Rated voltage	300V	450V
额定电流/Rated current	30A	32A
接触电阻/Contact resistance	20mΩ	
绝缘电阻/Insulation resistance	500MΩ/DC500V	
使用线径/Wire range	26~10AWG	4.0mm ²
耐电压/With standing voltage	AC 2000V/1 Min	
机械性能/Mechanical		
扭矩/Torque	0.5Nm(4.5Lb.in)	
温度范围/Temp Range	-40°C~+105°C	
瞬时温度/MAX Soldering	+250°C, for 5 Sec	
尺寸/Dimensions		
间距/Pitch	7.5mm	
极数/Poles	2~24P	
材料及电镀/Material		
塑件/Housing	PA66, UL94V-0	
螺丝/Screws	M3 Steel Zn plated	
焊脚/Pin header	Brass Tin plated	
方块/Cage	Brass Ni plated	

variable range	tolerance	±0.1	±0.14	±0.19	±0.25	±0.32	±0.43	±0.57	±0.72	±0.88	±1.05	±1.25	0.5	0.025	0.06	0.12	0.4										
	linear dimension(Tolerances Standard GB/T 14486-2008)	6 to	6 to	10 to	10 to	18 to	18 to	30 to	30 to	50 to	50 to	80 to	80 to	120 to	120 to	160 to	160 to	200 to	200 to	250 to	250 to	all	5 to	5 to	30 to	30 to	120 to

单位/UNITS	mm	尺寸/SIZE	A4	比例/SCALE	2.5:1
名称/TITLE	WJ750-7.5-XXP-1YY-00A				

慈溪市万捷电子有限公司
CIXI WANJIE ELECTRONIC CO., LTD

第三视角/THIRD ANGLE PROJECTION