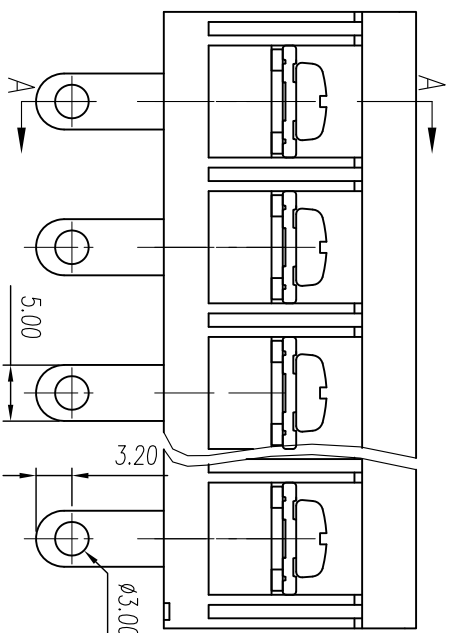
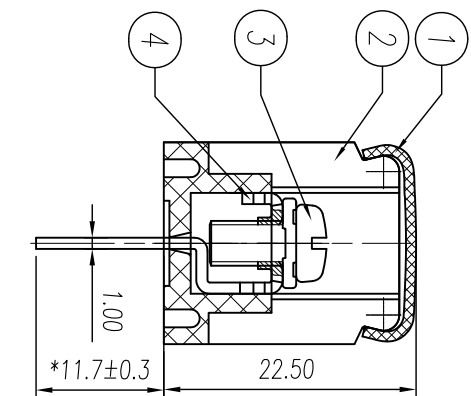
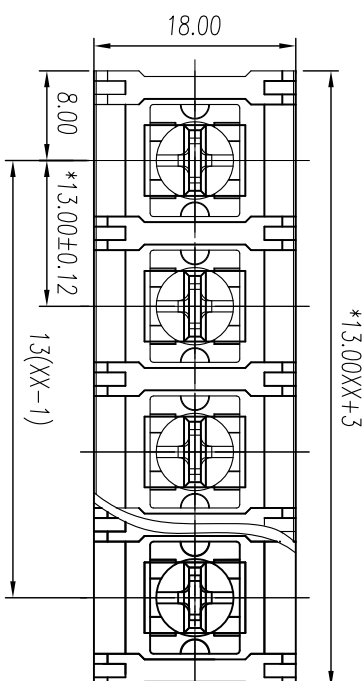
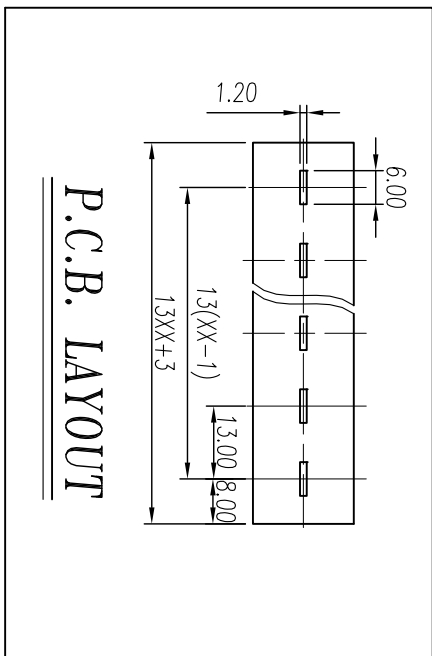




慈溪市万捷电子有限公司 CIXI WANJIE ELECTRONIC CO., LTD

产品规格书
THE SPEC SHEET



电气性能/Electrical	
参考标准/Standard	UL IEC
额定电压/Rated voltage	600V 750V
额定电流/Rated current	30A 32A
接触电阻/Contact resistance	20mΩ
绝缘电阻/Insulation resistance	500MΩ/DC500V
使用线径/Wire range	18~10AWG 4.0mm ²
耐电压/With standing voltage	AC 2000V/1 Min
机械性能/Mechanical	
扭矩/Torque	1.2Nm(10.6lb.in)
温度范围/Temp. Range	-40°C~+105°C
瞬时温度/MAX Soldering	+250°C, for 5 Sec
尺寸/Dimensions	
间距/Pitch	13mm
极数/Poles	2~20p
材料及电镀/Material	PA66, UL94V-0
塑件/Housing	M4.0 Steel Ni plated
螺丝/Screws	Brass 1.0t Tin plated
焊脚/Pin header	PC,UL94V-2
盖板/Cover	

tolerance	±0.1	±0.14	±0.19	±0.25	±0.32	±0.43	±0.57	±0.72	±0.88	±1.05	±1.25	0.5	0.025	0.06	0.12	0.4
	to	6	10	18	30	50	80	120	160	200	250	all	to	5	30	120
variable range	to	over	over	over	over	over	over	over	over	over	over	over	over	over	over	over
	6	10	18	30	50	80	120	160	200	250	all	5	30	120	120	

linear dimension(Tolerances Standard GB/T 14486-2008)

≡ — □ // ⊥

单位/UNITS mm 尺寸/SIZE A4 比例/SCALE 3:2

第三角制/THIRD ANGLE PROJECTION



慈溪市万捷电子有限公司
CIXI WANJIE ELECTRONIC CO., LTD

名称/TITLE WJ78H-XXP-1YY-00A