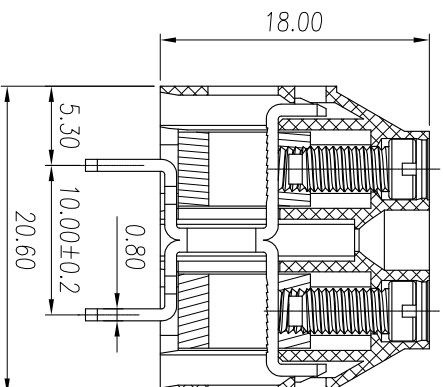
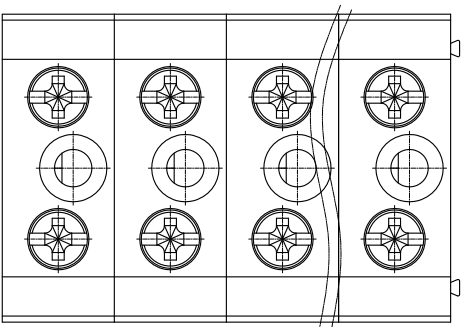
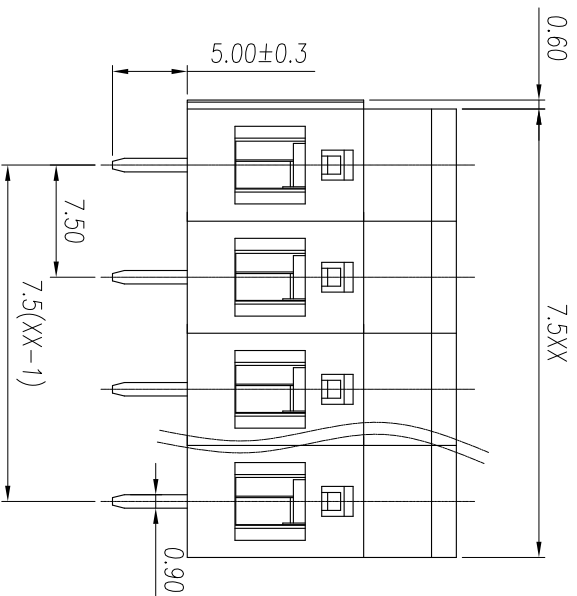
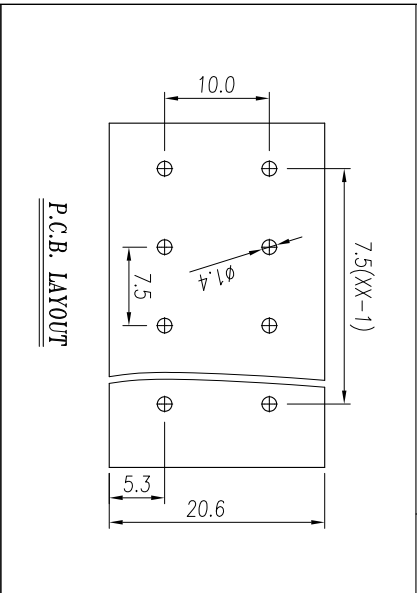




# 慈溪市万捷电子有限公司 CIXI WANJIE ELECTRONIC CO., LTD

产品规格书  
THE SPEC SHEET



**材质及电镀/Material**  
 塑件/Housing: PA66, UL94V-0  
 焊脚/Pin header: Brass, Sn plated  
 螺丝/Screws: M3, Steel, Zn plated  
 方块/Wire guard: Brass, Ni plated  
 间距: Pitch: 7.5mm  
 极数/Poles: 01~XXP  
**电气性能/Electrical**  
 参考标准/Standard: UL IEC  
 额定电压/Rated voltage: 300V 320V  
 额定电流/Rated current: 30A 32A  
 接触电阻/Contact resistance: 20mΩ  
 绝缘电阻/Insulation resistance: 500MΩ/DC500V  
 耐电压/Withstanding voltage: AC 2000V/1 Min  
 使用线径/Wire range: 24~10AWG(UL) 4.0mm<sup>2</sup>(IEC)  
**机械性能/Mechanical**  
 温度范围/Temp.Range: -40°C~+105°C  
 瞬间温度/Temp.Range: +250°C, for 5 Sec  
 扭矩/Torque: 0.5Nm(4.4lb.in)  
 剥线长度/Strip length: 6~7mm

	linear dimension(Tolerances Standard GB/T 14486-2008)												≡	—	□	//	⊥
tolerance	±0.1	±0.14	±0.19	±0.25	±0.32	±0.43	±0.57	±0.72	±0.88	±1.05	±1.25	0.5	0.025	0.06	0.12	0.4	
variable range	6 to	6 to	10 to	10 to	18 to	18 to	30 to	30 to	50 to	50 to	80 to	80 to	120 to	120 to	160 to	200 to	
over	6	10	18	30	50	80	120	160	200	250	all	5 to	5 to	30 to	30 to	120 to	

单位/UNITS	mm	尺寸/SIZE	A4	比例/SCALE	2:1
----------	----	---------	----	----------	-----

名称/TITLE	WJDS4-7.5-XXP-1YY-00A
----------	-----------------------

第三视角/THIRD ANGLE PROJECTION



慈溪市万捷电子有限公司  
CIXI WANJIE ELECTRONIC CO., LTD