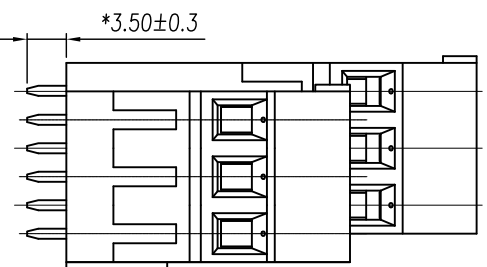
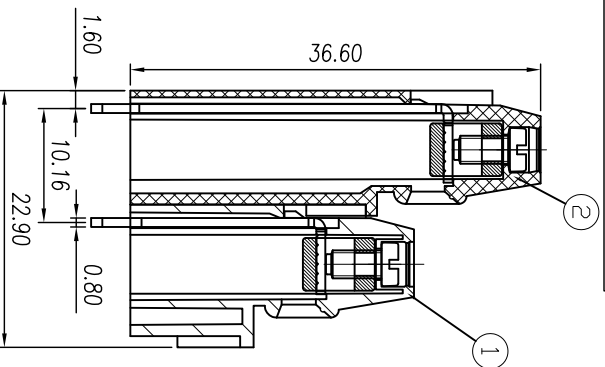
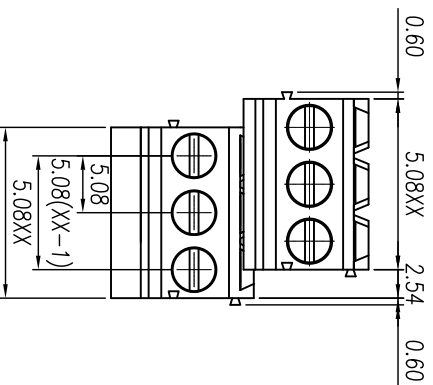
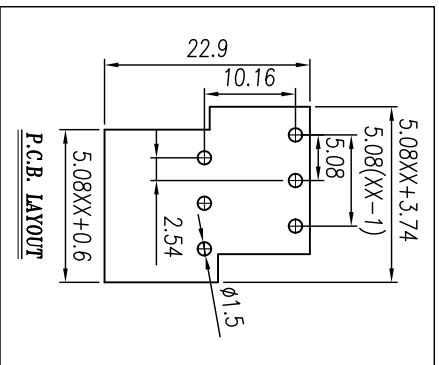




# 慈溪市万捷电子有限公司 CIXI WANJIE ELECTRONIC CO., LTD

产品规格书  
THE SPEC SHEET



	linear dimension(Tolerances Standard GB/T 14486-2008)										≡	—	□	//	⊥		
tolerance	±0.1	±0.14	±0.19	±0.25	±0.32	±0.43	±0.57	±0.72	±0.88	±1.05	±1.25	0.5	0.025	0.06	0.12	0.4	
variable range	6 to	6 to	10 to	10 to	18 to	30 to	50 to	80 to	120 to	160 to	200 to	250 to	all	5 to	5 to	30 to	120 to

### 电气性能/Electrical

参考标准/Standard	UL	IEC
额定电压/Rated voltage	300V	250V
额定电流/Rated current	15A	17.5A
接触电阻/Contact resistance	20mΩ	
绝缘电阻/Insulation resistance	500MΩ, DC500V	
使用线径/Wire range	30~14AWG	1.5mm <sup>2</sup>
耐电压/With standing voltage	AC 2000V/1 Min	

### 机械性能/Mechanical

扭矩/Torque	0.4Nm(3.6lb.in)
剥线长度/Strip Length	6-7mm
温度范围/Temp.Range	-40°C~+105°C
瞬时温度/MAX Soldering	+250°C, for 5 Sec

### 尺寸/Dimensions

间距/Pitch	5.08mm
极数/Poles	2*2~2*24P

### 材质及电镀/Material

塑件/Housing	PA66, UL94V-0
螺丝/Screws	M2.5, Steel, Zn plated
焊脚/Pin header	Brass, Tin plated
方块/Cage	Brass, Ni plated

单位/UNITS	mm	尺寸/SIZE	A4	比例/SCALE	1:5.1
----------	----	---------	----	----------	-------



慈溪市万捷电子有限公司  
CIXI WANJIE ELECTRONIC CO., LTD

名称/TITLE  
WJ21508A-5.08-2\*XP-1YY-00A

