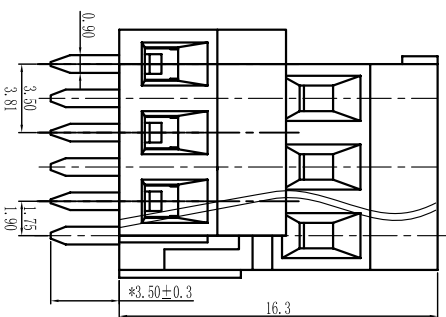
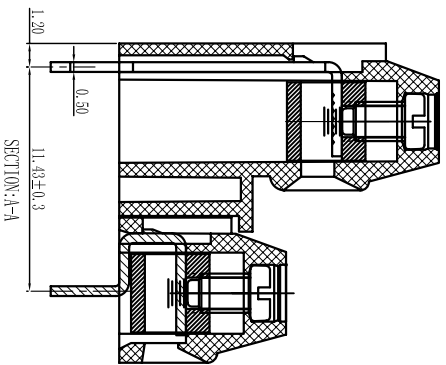
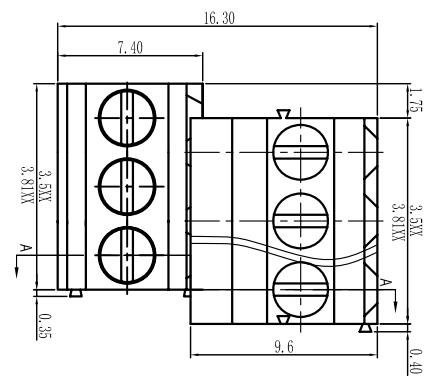
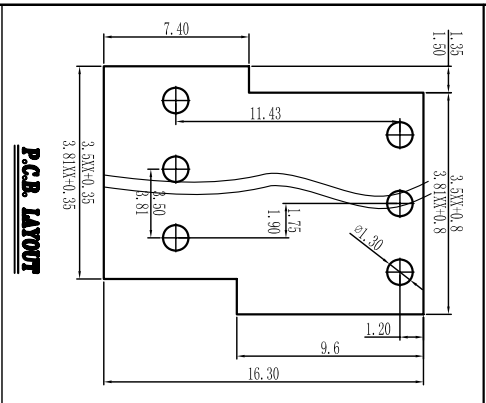




慈溪市万捷电子有限公司

CIXI WANJIE ELECTRONIC CO., LTD

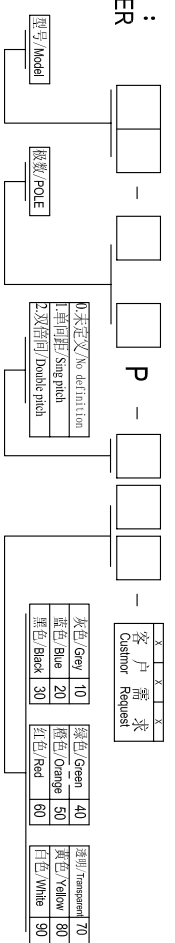
产品规格书
product specification



订购方式：
HOW TO ORDER

linear dimension (Tolerances Standard GB/T 14486-2008)

	≡	—	□	//	⊥											
tolerance	±0.1	±0.14	±0.19	±0.25	±0.32	±0.43	±0.57	±0.72	±0.88	±1.05	±1.25	0.5	0.025	0.06	0.12	0.4
variable range	6 to	6 to	10 to	18 to	30 to	50 to	80 to	120 to	160 to	200 to	250 to	all	5 to	5 to	30 to	120 to
over	6	10	18	30	50	80	120	160	200	250	5	5	30	30	120	120



电气性能/Electrical
 参考标准/Standard: UL IEC
 额定电压/Rated voltage: 300V 250V
 额定电流/Rated current: 15A 15A
 接触电阻/Contact resistance: 20mΩ
 使用线径/Wire range: 28-16AWG 1.0mm²
 耐电压/Withstanding voltage: AC2000V/1Min
 绝缘电阻/Insulation resistance: 500MΩ/DC300V

机械性能/Mechanical
 温度范围/Temp. Range: -40°C~+105°C
 扭矩/Torque: 0.4Nm (3.54lb in)
 剥线长度/Strip length: 4-5mm

尺寸/Dimensions
 间距/Pitch: 3.50mm, 3.81mm
 极数/Poles: 2P-24P
材质及电镀/Material
 塑件/Housing: PA66, UL94V-0
 螺丝/Screws: M2.0, steel Zinc plated
 方块/Cage: Brass, Ni plated
 焊脚/Pin header: Brass, Sile plated

单位/UNITS	mm	尺寸/SIZE	A4	比例/SCALE	比例
----------	----	---------	----	----------	----

客户需求 Customer Request	
灰色/Grey	10
蓝色/Blue	20
黑色/Black	30
绿色/Green	40
棕色/Orange	50
红色/Red	60
透明/Transparent	70
黄色/Yellow	80
白色/White	90



名称/NAME
WJER350P/381P-XXP-1YY-00A



第一视角/THIRD ANGLE PROJECTION