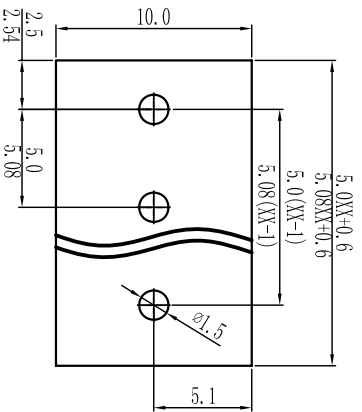




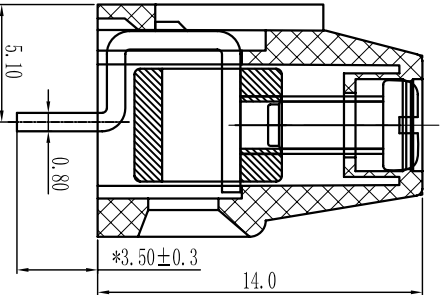
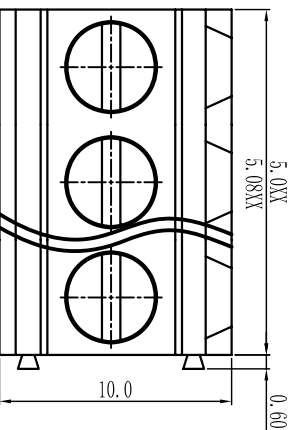
慈溪市万捷电子有限公司

CIXI WANJIE ELECTRONIC CO., LTD

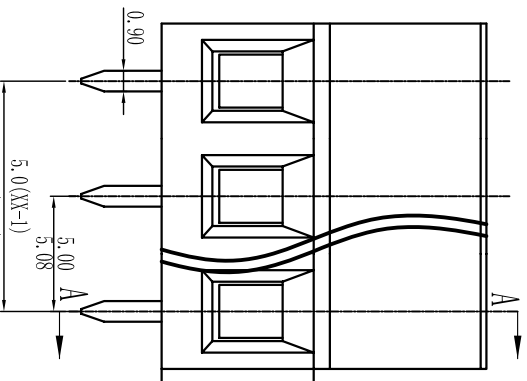
产品规格书
product specification



P.C.B. LAYOUT



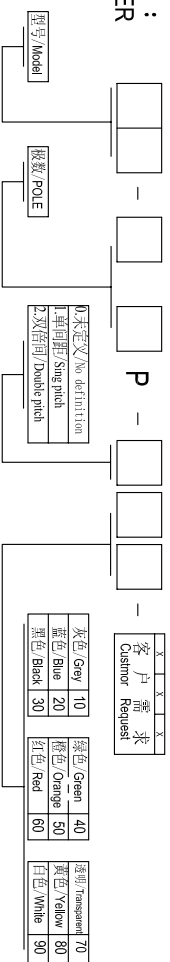
SECTION A-A



订购方式：
HOW TO ORDER

linear dimension (Tolerances Standard GB/T 14486-2008)

	≡	—	□	∥	⊥										
tolerance	±0.1	±0.14	±0.19	±0.25	±0.32	±0.43	±0.57	±0.72	±1.05	±1.25	0.5	0.025	0.06	0.12	0.4
variable range	6 to 6	6 to 10	10 to 18	18 to 30	30 to 50	50 to 80	80 to 120	120 to 160	160 to 200	200 to 250	all to 5	5 to 30	30 to 120	120 to 120	
over	6	10	18	30	50	80	120	160	200	250	5	30	120	120	



电气性能/Electrical

参考标准/Standard: UL IEC

额定电压/Rated voltage: 300V 250V

额定电流/Rated current: 15A 18A

接触电阻/Contact resistance: 20mΩ

使用线径/Wire range: 30-12AWG 2.5mm²

耐电压/Withstanding voltage: AC2000V/1Min

绝缘电阻/Insulation resistance: 500MΩ/DC500V

机械性能/Mechanical

温度范围/Temp Range: -40°C+105°C

扭矩/Torque: 0.4Nm(3.54lb·in)

剥线长度/Strip length: 6-7mm

尺寸/Dimensions

间距/Pitch: 5.0mm, 5.08mm

极数/Poles: 2P-24P

材料及电镀/Material

塑件/Housing: PA66 UL94V-0

螺丝/Screws: M2.5, steel Zinc plated

方块/Cage: Brass, Ni plated

焊脚/Pin header: Brass, Snle plated

单位/UNITS mm 尺寸/SIZE A4 比例/SCALE 比例



慈溪市万捷电子有限公司
CIXI WANJIE ELECTRONIC CO., LTD

名称/NAME WJJK500/508-XXP-1Y-004