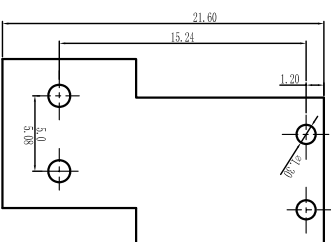
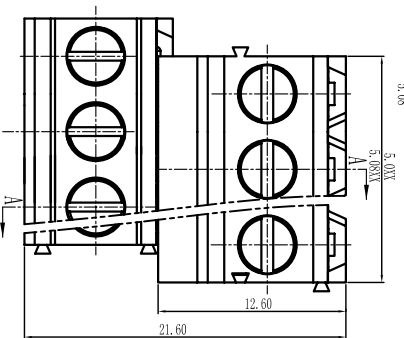
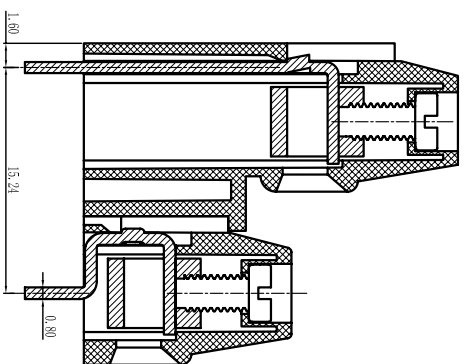
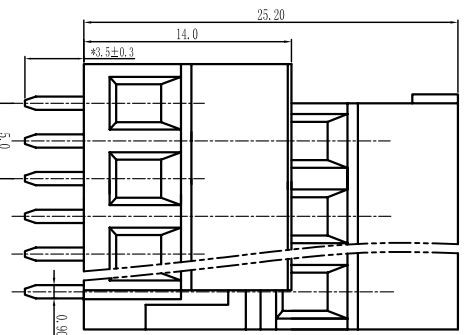




慈溪市万捷电子有限公司

CIXI WANJIE ELECTRONIC CO., LTD

产品规格书
Product specification



SECTION A-A

订购方式：
HOW TO ORDER

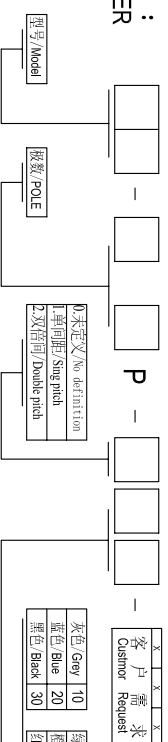
电气性能/Electrical
 参考标准/Standard: UL IEC
 额定电压/Rated voltage: 300V 250V
 额定电流/Rated current: 15A 18A
 接触电阻/Contact resistance: 20mΩ
 使用线径/Wire range: 30-14AWG 2.5mm²
 耐电压/Withstanding voltage: AC2000V/1Min
 绝缘电阻/Insulation resistance: 500MΩ/DC300V

机械性能/Mechanical
 温度范围/Temp Range: -40°C+105°C
 扭矩/Torque: 0.4Nm(3.5lb·in)
 剥线长度/Strip length: 6-7mm

尺寸/Dimensions
 间距/Pitch: 5.0mm, 5.08mm
 极数/Poles: 2P-2HP
材质及电镀/Material
 塑件/Housing: PA66, UL94V-0
 螺丝/Screws: M2.5, steel Zinc plated
 方块/Cage: Brass, Ni plated
 焊脚/Pin header: Brass, Sille plated

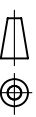
TOLERANCES EXCEPT AS NOTED

	linear dimension	fillet	chamfer	short angle sid	≡	—	□	//	⊥								
variable range	over 6 to 30	over 30 to 120	over 120 to 480	all to 6	over 6 to 10	over 10 to 50	over 50 to 120	all to 5	over 5 to 30	over 30 to 120							
tolerance	±0.1	±0.2	±0.3	±0.5	±0.9	±0.2	±0.5	±1	1°	30'	20'	10'	0.5	0.025	0.06	0.12	0.4



客户需求 Customer Request	10	20	30	40	50	60	70	80	90
灰色/Gray	蓝色/Blue	黑色/Black	绿色/Green	黄色/Orange	红色/Red	透明/Transparent	黄色/Yellow	白色/White	

单位/UNITS mm 尺寸/SIZE A4 比例/SCALE 比例



第一视角/FIRST ANGLE PROJECTION



慈溪市万捷电子有限公司
CIXI WANJIE ELECTRONIC CO., LTD

名称/NAME

WJES008/5088-KXP-1YV-00A