

HF46F

SUBMINIATURE INTERMEDIATE POWER RELAY



File No.: E134517



File No.: 40025215



File No.: CQC08001024932



Features

- 5A switching capability
- 10kV impulse withstand voltage (between coil and contacts)
- Meets VDE 0700, 0631 reinforce insulation
- Highly efficient magnetic circuit for high sensitivity: 200mW
- Extremely small footprint utilizing PCB area
- UL insulation system: Class F available
- Environmental friendly product (RoHS compliant)
- Outline Dimensions: (20.5 x 7.2 x 15.3) mm

CONTACT DATA

| | |
|----------------------------|--|
| Contact arrangement | 1A |
| Contact resistance | 100mΩ max. (at 1A 24VDC) |
| Contact material | AgSnO ₂ , AgNi |
| Contact rating (Res. load) | 3A/5A 250VAC / 30VDC |
| Max. switching voltage | 277VAC / 30VDC |
| Max. switching current | 5A |
| Max. switching power | 1385VA / 150W |
| Mechanical endurance | 5 x 10 ⁶ OPS |
| Electrical endurance | 1.2 x 10 ⁵ OPS (See approval reports for more details) |

CHARACTERISTICS

| | | |
|---|------------------------------|---------------------|
| Insulation resistance | 1000MΩ (at 500VDC) | |
| Dielectric strength | Between coil & contacts | 4000VAC 1min |
| | Between open contacts | 1000VAC 1min |
| Surge voltage (between coil & contacts) | 10kV (1.2 / 50μs) | |
| Operate time (at nomi. volt.) | 10ms max. | |
| Release time (at nomi. volt.) | 10ms max. | |
| Shock resistance | Functional | 98m/s ² |
| | Destructive | 980m/s ² |
| Vibration resistance ¹⁾ | 10Hz to 55Hz 1.5mm DA | |
| Humidity | 5% to 85% RH | |
| Ambient temperature | -40°C to 85°C | |
| Termination | PCB | |
| Unit weight | Approx. 3g | |
| Construction | Flux proofed, Plastic sealed | |

Notes: 1) Index is not that of relay length direction. The characteristics of relay length direction is only 10Hz to 55Hz 1mm DA.
2) The data shown above are initial values.
3) UL insulation system: Class F, Class B.

COIL

| | |
|------------|---------------|
| Coil power | Approx. 200mW |
|------------|---------------|

COIL DATA

at 23°C

| Nominal Voltage VDC | Pick-up Voltage VDC max. | Drop-out Voltage VDC min. | Max. Allowable Voltage VDC | Coil Resistance Ω |
|---------------------|--------------------------|---------------------------|----------------------------|-------------------|
| 3 | 2.25 | 0.18 | 3.90 | 45 x (1±10%) |
| 5 | 3.75 | 0.25 | 6.50 | 125 x (1±10%) |
| 6 | 4.50 | 0.30 | 7.80 | 180 x (1±10%) |
| 9 | 6.75 | 0.45 | 11.7 | 405 x (1±10%) |
| 12 | 9.00 | 0.60 | 15.6 | 720 x (1±10%) |
| 18 | 13.5 | 0.90 | 23.4 | 1620 x (1±10%) |
| 24 | 18.0 | 1.20 | 31.2 | 2880 x (1±10%) |

SAFETY APPROVAL RATINGS

| UL/CUL | AgNi | 5A 125VAC/250VAC at 85°C 5A 277VAC/30VDC at 85°C 3A 125VAC/250VAC at 85°C 3A 277VAC/30VDC at 85°C |
|--------|--------------------|--|
| UL/CUL | AgSnO ₂ | 5A 125VAC/250VAC at 85°C 5A 277VAC/30VDC at 85°C 3A 125VAC/250VAC at 85°C 3A 277VAC/30VDC at 85°C B300 R300 |
| | AgNi | 5A 250VAC/30VDC at 85°C |
| VDE | AgSnO ₂ | 5A 250VAC/30VDC at 85°C |

Notes: Only some typical ratings are listed above. If more details are required, please contact us.



HONGFA RELAY

ISO9001, ISO/TS16949, ISO14001, OHSAS18001, IECQ QC 080000 CERTIFIED

2013 Rev. 1.00

ORDERING INFORMATION

| | | | | | | | |
|--------------------------------|-------------------------------|--|---------------------|-------------------|--|--|--|
| Type | HF46F / 12 -H S 1 T G F (XXX) | | | | | | |
| Coil voltage | 3, 5, 6, 9, 12, 18, 24VDC | | | | | | |
| Contact arrangement | H: 1 Form A | | | | | | |
| Construction ¹⁾ | S: Plastic sealed | | | Nil: Flux proofed | | | |
| Termination | 1: type 1 | | 2: type 2 | | | | |
| Contact material ²⁾ | T: AgSnO ₂ | | Nil: AgNi | | | | |
| Contact plating | G: Gold plated | | Nil: No gold plated | | | | |
| Insulation standard | F: Class F | | Nil: Class B | | | | |
| Customer special code | | | | | | | |

Notes: 1) Under the ambience with dangerous gas like H₂S, SO₂ or NO₂, plastic sealed type is recommended; please test the relay in real applications. If the ambience allows, flux proofed is preferentially recommended.

If water cleaning is required after the relay is assembled on PCB, please contact us for suggestion about suitable parts.

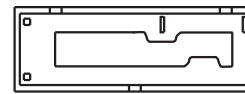
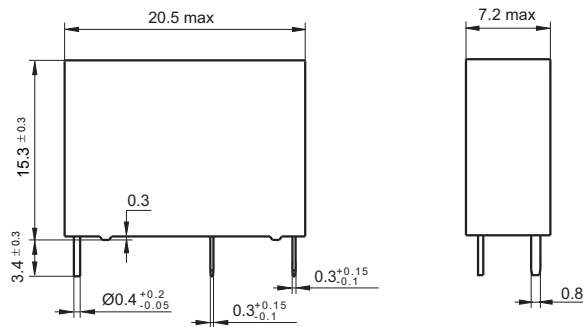
2) For the application of lamp (except LED), capacitive load, motor load or which can bring high inrush current when relay contacts connect instantly, AgSnO₂ contact material is recommended on priority.

OUTLINE DIMENSIONS, WIRING DIAGRAM AND PCB BOARD LAYOUT

Unit: mm

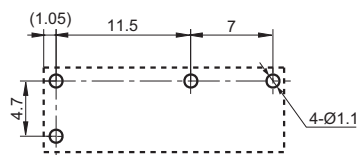
Outline Dimensions

HF46F/□□-H□□□□ (□□□□)



(Bottom view)

PCB Layout
(Bottom view)



Wiring Diagram
(Bottom view)

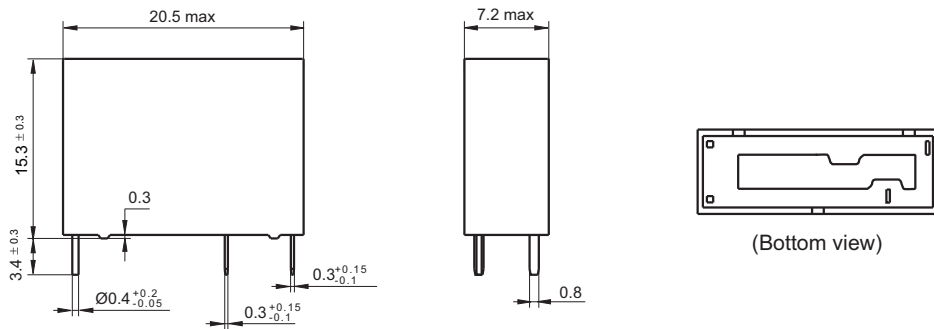


OUTLINE DIMENSIONS, WIRING DIAGRAM AND PC BOARD LAYOUT

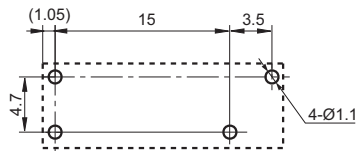
Unit: mm

Outline Dimensions

HF46F/□□-H□2□□ (□□□)



PCB Layout (Bottom view)



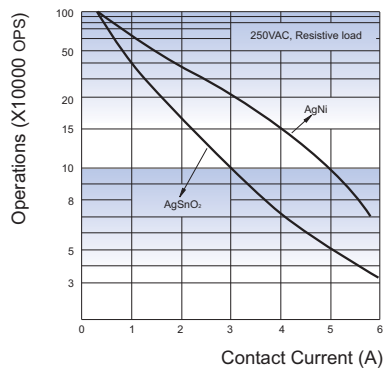
Wiring Diagram (Bottom view)



- Remark: 1) In case of no tolerance shown in outline dimension: outline dimension $\leq 1\text{mm}$, tolerance should be $\pm 0.2\text{mm}$; outline dimension $> 1\text{mm}$ and $\leq 5\text{mm}$, tolerance should be $\pm 0.3\text{mm}$; outline dimension $> 5\text{mm}$, tolerance should be $\pm 0.4\text{mm}$.
2) The tolerance without indicating for PCB layout is always $\pm 0.1\text{mm}$.

CHARACTERISTIC CURVES

ENDURANCE CURVE



Disclaimer

This datasheet is for the customers' reference. All the specifications are subject to change without notice. We could not evaluate all the performance and all the parameters for every possible application. Thus the user should be in a right position to choose the suitable product for their own application. If there is any query, please contact Hongfa for the technical service. However, it is the user's responsibility to determine which product should be used only.

© Xiamen Hongfa Electroacoustic Co., Ltd. All rights of Hongfa are reserved.