

HF84F

HIGH POWER RELAY



File No.:E134517 (AC type)



Features

- 16A switching capability
- 2.5kV dielectric strength (between coil and contacts)
- Panel mount types available
- Environmental friendly product (RoHS compliant)
- Outline Dimensions: (47.0 x 32.0 x 28.5)mm

CONTACT DATA

Contact arrangement	1A, 1B, 1C
Contact resistance	50mΩ max.(at 1A 24VDC)
Contact material	AgCe
Contact rating (Res.load)	1A, 1B: 16A 120/240VAC 1C: 8A 120/240VAC
Max. switching voltage	240VAC
Max. switching current	16A
Max. switching power	3840VAC
Mechanical endurance	1 x 10 ⁶ OPS
Electrical endurance	1 x 10 ⁵ OPS

CHARACTERISTICS

Insulation resistance	1500MΩ (at 500VDC)
Dielectric strength	Between coil & contacts 2500VAC 1min
	Between open contacts 1000VAC 1min
Operate time (at nomi. volt.)	DC type: 25ms max.
Release time (at nomi. volt.)	DC type: 25ms max.
Temperature rise (at nomi. volt.)	90K max.
Shock resistance (Functional)	147m/s ² 11ms
Vibration resistance	10Hz to 55Hz 2.54mm DA
Ambient temperature	-40°C to 65°C
Humidity	5% to 85% RH
Termination	QC
Unit weight	Approx. 75g
Construction	Dust protected

Notes: 1) The data shown above are initial values.
2) UL insulation system: Class A

COIL

Coil power	DC type: 2.1W ; AC type: 3.5VA
------------	-----------------------------------

COIL DATA

at 23°C

Nominal Voltage VDC	Pick-up Voltage VDC max.	Drop-out Voltage VDC min.	Max. Allowable Voltage VDC	Coil Resistance Ω
6	4.50	0.6	6.6	17.5 x (1±10%)
9	6.75	0.9	9.9	40 x (1±10%)
12	9.00	1.2	13.2	70 x (1±10%)
24	18.0	2.4	26.4	280 x (1±10%)
48	36.0	4.8	52.8	1120 x (1±10%)
120	90.0	12.0	132	7000 x (1±10%)

Nominal Voltage VAC	Pick-up Voltage VAC max.	Drop-out Voltage VAC min.	Max. Allowable Voltage VAC	Coil Resistance Ω
6	5.1	1.2	6.6	4.8 x (1±10%)
12	10.2	2.4	13.2	19 x (1±10%)
24	20.4	4.8	26.4	90 x (1±10%)
48	40.6	9.6	52.8	300 x (1±10%)
120	102	24	132	2000 x (1±10%)
240	204	48	264	7200 x (1±10%)
277	235	55.4	304.7	11000 x (1±10%)

SAFETY APPROVAL RATINGS

UL/CUL (AC type)	HF84F-1	8FLA 25LRA 250VAC 16A 250VAC 8A 250VAC
	HF84F-4	8FLA 25LRA 250VAC 16A 250VAC 8A 250VAC
	HF84F-7	8FLA 25LRA 250VAC 8A 250VAC

Notes: Only some typical ratings are listed above. If more details are required, please contact us.



HONGFA RELAY

ISO9001, ISO/TS16949, ISO14001, OHSAS18001, IECQ QC 080000 CERTIFIED

2012 Rev. 1.01

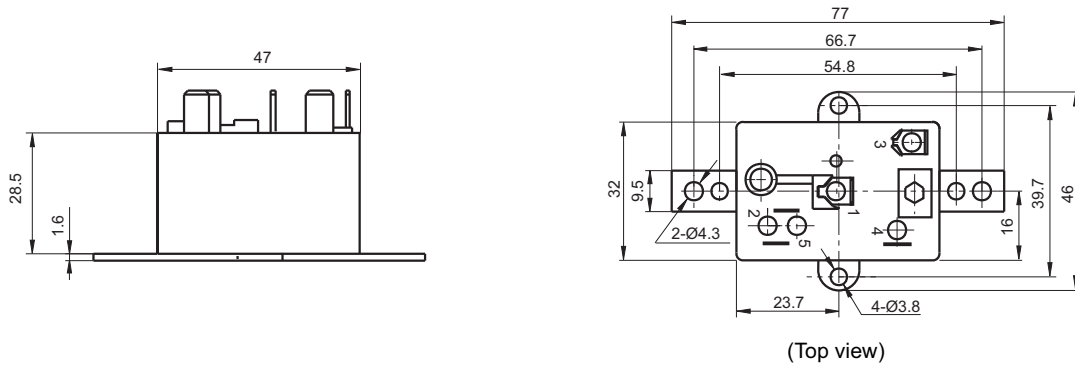
ORDERING INFORMATION

Type	HF84F	-1	A	24	(XXX)
Contact arrangement	1: 1 Form C 4: 1 Form A 7: 1 Form B				
Coil voltage form	D: DC A: AC				
Coil voltage	AC: 6VAC to 277VAC DC: 6VDC to 120VDC (No UL approved)				
Customer special code					

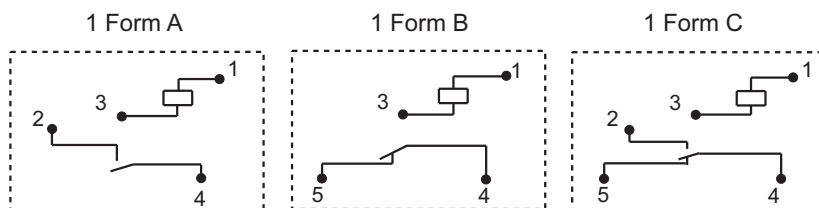
OUTLINE DIMENSIONS, WIRING DIAGRAM AND PC BOARD LAYOUT

Unit: mm

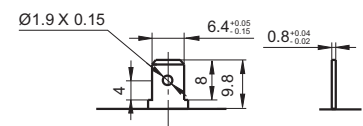
Outline Dimensions



Wiring Diagram (Top view)



Terminals type



Remark: In case of no tolerance shown in outline dimension: outline dimension ≤ 1 mm, tolerance should be ± 0.2 mm; outline dimension > 1 mm and ≤ 5 mm, tolerance should be ± 0.3 mm; outline dimension > 5 mm, tolerance should be ± 0.4 mm.

Disclaimer

This datasheet is for the customers' reference. All the specifications are subject to change without notice. We could not evaluate all the performance and all the parameters for every possible application. Thus the user should be in a right position to choose the suitable product for their own application. If there is any query, please contact Hongfa for the technical service. However, it is the user's responsibility to determine which product should be used only.

© Xiamen Hongfa Electroacoustic Co., Ltd. All rights of Hongfa are reserved.